

CORPORATE CULTURE

企业文化

企业宗旨

以人为本 诚信务实 创新进取 回报社会


企业愿景

打造中国最大的电机生产基地

企业使命

产业报国 创造价值 服务社会 贡献人类

永发人以永发的繁荣和飞速发展见证着自己的勤奋、激情、智慧和忠诚。永发人更以精益求精，猛进如潮的敬业精神与诚信、公正、求实、创新的经营理念创造着人生与社会的财富。

- 
- YE2系列(IP55)高效率三相异步电动机
 - YE3系列(IP55)超高效率三相异步电动机
 - YVF2系列(IP54)变频调速三相异步电动机
 - YZR系列三相异步电动机
 - YZ系列三相异步电动机
 - Y系列(IP23)绕线转子三相异步电动机
 - YTS系列提升机专用二相异步电动机
 - YR系列(IP23)绕线转子三相异步电动机
 - YXQR、YXQS(IP23)系列高效三相异步电动机
 - YXQR500三相异步电动机
 - Y系列高压6KV、10KV三相异步电动机
 - YR系列高压6KV、10KV绕线转子三相异步电动机
 - YKK系列高压6KV、10KV二相异步电动机
 - YRKK系列高压6KV、10KV绕线转子三相异步电动机
 - YKS系列高压6KV、10KV空-水冷却三相异步电动机
 - YR系列大型三相异步电动机

承接各种特殊、非标电机设计制造及进口电机国产化

订货注意事项

ORDER MATTERS NEEDING ATTENTION

尊敬的客户：

您订货时除了需提供您所需的电机型号的基本参数外，还需注意如下一些问题，请务必认真阅读以下项次，以确保您的需求能够得到最满意、最迅速的答复。如没有提出特殊要求，我公司将默认按国标及我公司标准生产。

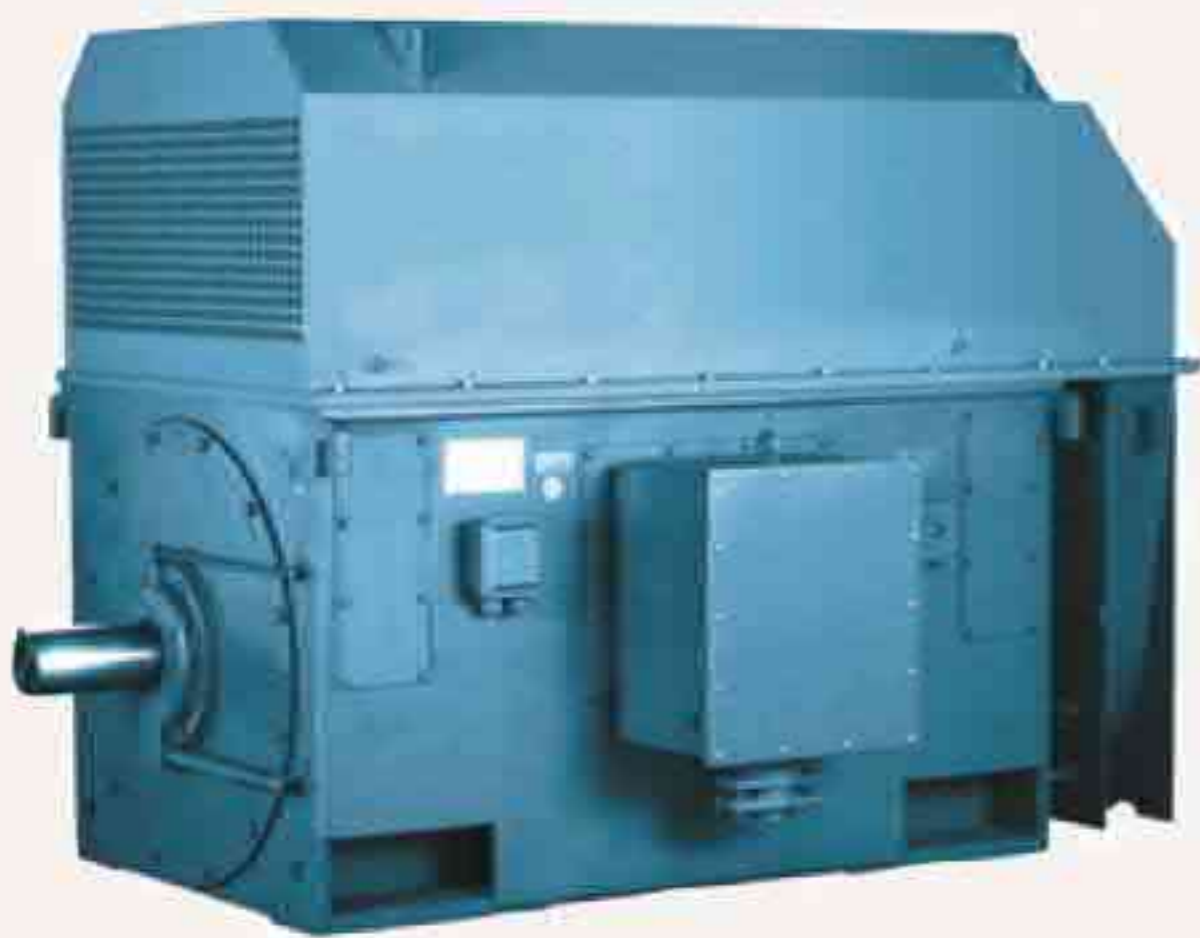
Dear customer:

You order in addition to provide the basic parameters of the motor model you need outside, still need to pay attention to the following questions, please read the following items, to ensure that your needs can be the most satisfactory and most prompt reply. If there is no special requirements, our company will be the default by the national standard and our company standard production.

- 1 噪声如果有特殊要求须提供给我们。（详见噪声国家标准）
- 2 振动如果有特殊要求须提供给我们（标准值为：振幅0.037mm；振幅2.3mm/s，详见振动国家标准）
- 3 启动次数如果有特殊要求须提供给我们（标准为冷态2次，热态1次）
- 4 旋转方向如果有特殊要求须告知我们（标准为从电机轴伸端往电机方向看为顺时针，高效电机必须注明旋向）
- 5 电机负载类型请提供给我们（如风机；水泵；磨机；破碎机；压缩机；轧钢机；磨盘机等）
- 6 负载转动惯量如果有特殊要求须提供给我们。
- 7 传动方式是什么请告知我们。（如带液力耦合器或带齿轮箱或直接链接）
- 8 联轴形式是什么请告知我们。（如联轴器或者皮带轮，皮带张力是多少也须告知）
- 9 电机上是否需提供编码器接口？
- 10 您所需电机是否在高原使用？（电机运行海拔超过1000米需特殊设计）
- 11 电机运行的环境温度是多少请告知我们。
- 12 电机是否在温热带地区使用？
- 13 电机是否在户外使用？
- 14 电机是否在海边使用？
- 15 防腐是否有要求？（如F1轻度腐蚀；F2中度腐蚀；F3强腐蚀）



- 1、 noise if there are special requirements to be provided to us. (see noise national standard)
- 2、 vibration if there are special requirements to be provided to us (the standard value is: amplitude 2.3mm/s; amplitude 0.037mm, see the vibration of the national standard)
- 3、 start times if there are special requirements to be provided to us (the standard for 2 cold, hot 1)
- 4、 rotation direction if there are special requirements shall inform us (the standard for the motor shaft extending from the end of the motor direction is clockwise, efficient motor must indicate the direction of rotation).
- 5、 please provide us type motor load (such as wind machine; water pump; mill; crusher; compressor; rolling mill; grinding machine etc.)
- 6、 load moment of inertia if there are special requirements to be provided to us.
- 7、 transmission mode is what please let us know. (such as with a hydraulic coupler or with a gear box or direct link)
- 8、 shaft form is anything please let us know. (such as coupling or pulley, belt tension is also required to inform)
- 9、 is the motor on the encoder interface?
- 10、 do you need the motor used in the plateau? (motor operated at an altitude of more than 1000 meters)
- 11、 how much is the temperature of the motor running, please let us know.
- 12、 is the motor used in the wet tropics?
- 13、 motor is used outdoors?
- 14 、 motor is used in the sea?
- 15、 is there a requirement for corrosion protection? (such as F1 slight corrosion; F2 moderate corrosion; F3 strong corrosion)



- 16 轴承采用何种型式？（如滚动轴承或者滑动轴承）是否需进口轴承？（SKF FAG NSK 国产）
- 17 轴承是否承受推力？
- 18 轴承是否有绝缘要求？
- 19 是否需要我们提供稀油站？
- 20 如果需要稀油站是否有特殊要求？（无要求即是采用国产元件）
- 21 您所需电机是否备品电机？是的话请提供我公司原电机的生产序号。
- 22 中性点是否需要引出？
- 23 是否需要CT？如果需要CT安装位置在主出线线盒还是中性点出线盒？
- 24 如果需要CT,数量是多少？
- 25 是否需要加装防潮加热器？
- 26 是否需要加装测振传感器？
- 27 测温元件是否有特殊要求？
- 28 转子鼠笼材料是否有特殊要求？（如铸铝、铜排、梯形铜排）
- 29 油漆颜色是否需要指定？（我公司默认颜色为室内“玉绿”、室外为“浅灰”，其它参考本资料附件的“油漆颜色P65-66）
- 30 电机是否需要双轴伸？
- 31 请明确出线盒位置（标准是从电机轴伸端往电机方向看出线盒安装在右边）
- 32 电机最大力矩倍数如果有特殊要求须提供给我们。
- 33 电机启动力矩倍数如果有特殊要求须提供给我们。
- 34 电机启动电流倍数如果有特殊要求须提供给我们。
- 35 功率 $\leq 355\text{kW}$ 的高效电机虽不在财政部补贴范围内，但建议客户仍然采用高效电机。
- 36 中心高 $\leq H710$ 的高效电机一律全部采用磁性槽楔。



16 what type of bearing? Is it necessary to import bearings (such as rolling bearings or plain bearings)? (SKF FAG
 NSK domestic)

17 bearing the thrust?

18 are bearing the insulation requirements?

19 do we need to provide a thin oil station?

20 if you need to dilute the oil station has special requirements? (no requirement for the use of domestic components)

21 you need whether the motor spare motor? Yes, please provide the production of our company's original motor serial number.

22 is the neutral point needed to be elicited?

23 do you need CT? If you need to install the CT in the main outlet box or the neutral point of the outlet box?

24 If you need CT, what is the number?

25 do you need to install a damp proof heater?

26 whether you need to install vibration sensors?

27 temperature measurement components are special requirements?

28 does the squirrel cage material have special requirements? (such as aluminum, copper, copper ladder)

29 paint color is required to specify? Our company (the default color for "green jade" indoor and outdoor "light", another reference to the information annex "paintColor P65-66)

30 whether the motor needs biaxial extension?

31 clear outlet box position (the standard is from the motor shaft extension end to the motor direction see the outlet box installed on the right side)

32 motor maximum torque ratio if there are special requirements shall be provided to us.

33 motor starting torque multiple if there are special requirements shall be provided to us.

34 motor starting current multiple if there are special requirements shall be provided to us.

35 power is less than 355kW, although not the motor in the Ministry of finance the scope of subsidies, but suggested that customers still using high performance motor.

36 high efficient motor center are all less than H710 using magnetic wedge.

YX YXKS YXKK 系列6KV/10KV、YCS10KV高效高压三相异步电动机

一、概述 OVERVIEW

YX、YXKS、YXKK YCS系列高效高压三相异步电动机是我公司21世纪的最新产品，积累了我公司多年的高压三相异步电动机系列设计制造的经验，开发出的新一代高效节能电机产品，可与普通Y系列高压三相异步电机互换，提高企业的运行效益，节能减排。

本系列电动机的功率等级和安装尺寸及公差均符合国家标准GB/T755《旋转电机定额和性能》国际电工委员会标准IEC34-1《旋转电机定额和性能》和GB/T13957及机械行业标准JB/T7593、JB/T10315.1、JB/T10315.2等。电气性能方面由于在上述标准基础上损耗降低了20%，从而效率值均有不同程度提高，其他电气性能符合上述标准要求。

本系列电动机的外壳防护等级根据GB/4942.1和IEC34-5《旋转电机外壳防护等级》的标准分别有IP23、IPW24、IP44和IP54四种。如果用户需要其它防护等级可另行供货。

本系列电动机的冷却方法根据GB/T1993和IEC34-6《旋转电机冷却方法》的标准分别有IC01、IC81W、IC611、IC616。如果用户需要其它冷却方法可另行供货。

本系列电动机的结构及安装型式为IMB3(卧式带底脚)，符合GB/T997和IEC34-7《电机结构及安装型式代号》的规定。

X, YXKS, YXKK, YCS series high voltage three-phase asynchronous motor is the company in twenty-first Century the latest products, our company accumulated years of high-voltage three-phase asynchronous motor series design and manufacturing experience, a new generation of energy efficient motor products developed, interchangeable with Y series high voltage three phase asynchronous motor, improve the operation efficiency of enterprises energy saving and emission reduction. This series of motor power rating and mounting dimensions conform to the national standard GB/T755 "motor rating and performance" the International Electrotechnical Commission Standard IEC34-1 "rating and performance of rotating electrical machines" and GB/T13957 and machinery industry standard JB/T7593, JB/T10315.1, JB/T10315.2 etc.. Electrical performance due to the loss of 20% on the basis of the above standards, resulting in a different degree of efficiency and improve the performance of other electrical performance in line with the above standards. According to the standard of GB/4942.1 and IEC34-5, the shell protection grade of the motor is IP23, IPW24, IP44 and IP54 four kinds of motors. If the user needs other protection level can be supplied separately. This series of motor cooling methods according to GB/T1993 and IEC34-6 "rotary motor cooling method" standards are IC01, IC81W, IC611, IC616. If the user needs other cooling methods can be supplied separately. The structure and installation of this series motors for IMB3 (horizontal with foot), comply with GB/T997 and IEC34-7 "motor structure and installation type code".

二、优势特点 ADVANTAGE CHARACTERISTIC

1. 优化的电磁设计

本系列电动机应用了有限元方法分析电磁性能、发热及机械应力和变形并进行了电磁优化设计，对尺寸、气缝、槽配合及槽形进行了全面优化，电机的尺寸达到合理的匹配，电机的性能达到最佳。

2. 低谐波绕组

本系列电动机采用低谐波绕组，降低电机的定子铜耗和杂散损耗，提高电机的运行效率。

3. 高强度磁性槽楔

我公司经过长期研究，采用高强度磁性槽楔，稳定的槽楔紧固工艺和材料，成功地解决了磁性槽楔脱落的问题，提高了电机的电气性能。



YX YXKS YXKK 系列6KV/10KV、YCS10KV高效高压三相异步电动机

4.优化的通风冷却系统

采用后倾离心式风扇，轴流风扇等，优化电机内、外通风系统，提高冷却效果，降低电机（特别是高速电机）的通风损耗，降低通风噪音，提高电机效率。

5.绝缘系统

本系列采用各种性能得到全面提升的绝缘系统，电压特性、温度特性、弯曲强度、击穿电压试验、热老化电老化试验均表明本系列绝缘系统达一流水平。本系列采用优质云母带，环保浸渍树脂并在数控绕线机、涨型机及包带机上完成线圈制造的每道工序，最后经VPI处理。因此绝缘性能可靠，机械强度高，防潮能力强。

6.高效率

本系列电机的效率在JB/T7593、JB/T10315.1、JB/T10315.2、GB/T13957的效率基础上降低损耗20%。达到IE2高效电机要求，为真正意义上的高效电机，可大幅度提高客户的运行效益，能为用户节电20%以上，为国家节能惠民工程产品。

1 Optimization of electromagnetic design

This series motor is used finite element method to analyze the electromagnetic and mechanical properties, heat stress and deformation and the optimized design, size, gas slot, slot matching and groove shape were optimized, the size of the motor to achieve a reasonable match, the best performance of the motor.

2 low harmonic winding

This series of motors with low harmonic winding, reduce the motor stator copper loss and stray loss, improve the efficiency of the operation of the motor.

3 high strength magnetic slot wedge

After a long time study, we have successfully solved the problem of the magnetic slot wedge off by using the high strength magnetic slot wedge and the stable slot wedge fastening technology.

4 optimized ventilation cooling system

The centrifugal fan, axial fan, motor, optimization of ventilation system, improve the cooling effect, reduce the motor (especially high-speed motor) of the ventilation loss, reducing ventilation noise, improve the motor efficiency.

5 insulation system

This series adopts various performance insulation system to enhance the voltage and temperature characteristics, flexural strength, breakdown voltage test, thermal aging electrical aging test show that this series of insulation system reached the first-class level. The series is made of high quality mica tape, and it is used in the numerical control winding machine, the up machine and the wrapping machine to finish the winding process. Therefore, the insulation performance is reliable, the mechanical strength is good, the moisture proof ability is strong.

6 high efficiency

The efficiency of this series motors reduce the loss of 20% in JB/T7593, JB/T10315.1, JB/T10315.2 efficiency based on IE2 and GB/T13957, achieve efficient motor requirements for high efficiency motors in real sense, can greatly improve the efficiency of customers, can save 20% more users for the country.Home energy saving engineering products.

三、使用范围 RANGE OF USE

本系列电动机可用于驱动各种通用机械如压缩机、通风机、水泵、切削机床、运输机械及其它机械设备，在矿山、机械行业、石化行业、发电厂等各种工矿企业中作原动机使用。用以驱动大转动惯量的鼓风机、磨煤机、轧钢机、卷扬机、破碎机、皮带机等机械的电动机应在订货时提供有关技术资料，签订技术协议，作为电机特殊设计的依据，并选用派生系列的专用电动机，以确保电机可靠运行。

电动机正常工作基本条件：

- a 海拔不超过1000m；
- b 最高环境空气温度不超过40℃；最低环境空气温度对采用滚动轴承的电动机为-15℃，对采用滑动轴承的电动机为5℃；对YXKS系列电动机为5℃；
- c 对YXKS系列电动机，冷却器入口处冷却水温度不超过33℃，最低温度为5℃；
- d 最湿月月平均最高相对湿度为90%，同时该月月平均最低温度不高于25℃；
- e 电源频率为50Hz±1%；
- f 工作电压变化范围不大于额定电压±5%；
- g 电动机定额为连续工作制SI。

四、型号说明

电动机型号按GB4831的规定由产品代号、规格代号二部分依次排列组成。产品代号由电机系列代号表示，含义如下：

This series of motors can be used to drive all kinds of general machinery, such as compressors, fans, pumps, cutting machine tools, transport machinery and other mechanical equipment. Mining, machinery industry, petrochemical industry, power plants and other industrial and mining enterprises for the use of the original motive. Air blower and coal mill for driving large moment of inertia, Motor hoist, rolling mill, crusher, belt machine should provide relevant technical data in order, signed a technical agreement, as a special motor Design basis, and the use of a series of special motor, in order to ensure the reliable operation of the motor. Basic conditions of normal operation of motor:

A elevation is not more than 1000m;

B maximum ambient air temperature is not more than 40 degrees Celsius; minimum ambient air temperature on the use of rolling bearings of the motor for -15 degrees C, the use of sliding bearings The machine is 5 degrees C and the YXKS series motor is 5;

C YXKS on the C series motor, cooler at the entrance to the cooling water temperature is not more than 33 degrees, the minimum temperature of 5;

D is the most humid month average maximum relative humidity of 90%, while the average monthly minimum temperature is not higher than 25 DEG c;

E power frequency is 50Hz ± 1%;

F The working voltage of F is not more than 5% of the rated voltage;

G motor quota for continuous working system SI. Four, model description According to the provisions of GB4831 motor model by the product code, code, code, and the two parts of the order of the composition. Product code by the motor series code, including The meaning is as follows:

示例 Sample:





五、结构说明 STRUCTURE DESCRIPTION

YX为基本系列，防护等级为IP23.冷却方法为IC01。将其机座顶部防护罩拆去，并安装不同的防护罩（或冷却器）即可派生各种不同防护等级及冷却方法的电机，如YXKS(空-水冷却)、YXQF(气候防护)、YXKK(空-空冷却)等系列电机。

电动机采用国际上流的箱式结构，机座的端盖均由钢板焊接制成，刚度好、重量轻、拆下防护罩（或冷却器）后可以观察和触及电机内部，便于电动机的安装、维修。

定子采用外压装结构。定子绕组采用F级绝缘材料和防晕材料，绕组端部固定采用特殊绑扎工艺、牢固可靠，整个定子采用真空压力浸渍F级无溶剂漆（VPI）处理。由此，电动机具有优良可靠的绝缘性能和防潮、抗冲击能力。本系列电动机H355~H710均采用磁性槽楔，要求非磁性槽楔的用户,需要在订货时说明。

本系列电动机鼠笼转子大部分采用铜条转子，鼠笼铜条转子采用先进可靠的焊接工艺，并经槽内紧固处理。运行可靠，少量采用铸铝转子。

轴承有滚动轴承和滑动轴承两种形式，依电动机功率大小及转速而定，其基本形式的防护等级为IP44。如电机具有较高的防护等级时，轴承的防护等级也随之提高。

采用滚动轴承结构的电机均有不停机加油和排油装置。

主出线盒为密封结构，防护等级为IP54.一般装于电机右侧（从轴伸端看），根据用户需要也能装于左侧。出线盒的进线孔可朝上、下、左、右四周转换。盒内有单独的接地端子。

二极电机轴承采用滚动轴承（H355~450）或滑动轴承（H500以上）结构，滑动轴承采用油环和压力油循环复合润滑方式。

本系列电机的内、外风扇均有方向性，电机只能按指定旋向旋转。

二极电机外挂风机（冷却方式IC616）空-空冷却结构，需要低压电源。

YX for the basic series, the protection level of IP23, cooling method for IC01. The frame is to remove the protective cover, and the installation of different protective cover (or cooler) motor can be derived in different degrees of protection and cooling methods, such as YXKS (air cooling water), YXQF (climate protection), YXKK (air cooling) series motor.

The motor adopts box type structure of international upstream, the base end cover is made of steel plate and welding material, good rigidity, light weight, remove the protective cover (or cooler) can be observed and touch the inside of the motor, installation and maintenance for motor.

Stator adopts external pressure loading structure. The stator windings are class F insulation and anti corona material, winding end fixed with special binding process, firm and reliable, the stator adopts the vacuum pressure impregnation F solventless paint (VPI) treatment. As a result, the motor has excellent and reliable insulation performance and moisture, anti impact ability. This series of motor H355~H710 are using magnetic slot wedge, request the user of the non magnetic slot wedge, need to explain in order.

Most of the motor squirrel cage rotor of this series adopts copper strip rotor, the squirrel cage copper strip rotor adopts advanced and reliable welding technology, and the. Reliable operation, a small amount of the cast aluminum rotor.

Bearings are rolling bearings and sliding bearings in two forms, according to the motor power size and speed, the basic form of protection is IP44. If the motor has a high level of protection, the protection level of the bearing will also be improved. Motor with rolling bearing structure has no stopping machine and oil discharging device.

The main outlet box is sealed structure, the protection level of IP54. is generally installed on the right side of the motor (from the shaft extension end), can also be installed on the left side according to the user's need. Kezhao inlet hole of the outlet box up and down, left and right around the conversion. There is a separate ground terminal in the box.

Two pole motor rolling bearing sliding bearing (H355~450) or (H500) structure, sliding bearings with oil ring and oil circulation lubrication composite pressure. The internal and external fans of this series of motors are directional, and the motor can only rotate according to the specified direction. Two pole motor plug fan (cooling IC616) air-to-air cooling structure, need low voltage power supply.

YX YXKS YXKK 系列6KV/10KV、YCS10KV高效高压三相异步电动机

六、鼠笼异步电动机的起动 (YX、YXKS、YSKK系列)

鼠笼型异步电动机的转子采用了先进的计算技术来计算鼠笼转子的起动温度和应力。以防电动机因起动负载过重而导致电机早期损坏。

建议用户核查：(1) 被驱动机械设备转动部分的转动惯量 (折算到电动机转速后) 应不超过技术数据表中 (负载J) 项的数值；(2) 用户的电网应保证电动机在起动过程中的电机端电压不低于额定电压的85%；(3) 被传动机械的阻力矩特性为水泵、风机类阻力矩特性。

在上述条件下，电动机允许在实际冷状态下连续起动两次，电动机在两次起动之间为自然停车；或者在电动机热状态下起动一次。超出以上限制的再次起动电动机应在停车1小时以后。

如果需要电动机传动的机械转动部分的转动惯量超过技术数据表中的 (负载J) 数值，或要求频繁起动电动机，或有可能带重负载起动的电动机，务必请事先和制造厂联系协商，以便特殊设计，确保电动机的可靠起动。

二级电机外挂风机空-空冷却型结构，需要起动冷却风机后才能起动主电机。

Six, squirrel cage induction motor starting (YX, YXKS, YSKK Series)

The rotor of squirrel cage induction motor adopts advanced computing technology to calculate the starting temperature and stress of the squirrel cage rotor. In case the motor is damaged due to excessive starting load, the motor is damaged in early stage.

Users are advised to check: (1) driven by the rotation inertia part of the mechanical equipment (converted to motor speed) should not exceed the technical data sheets (load J) item value; (2) the grid user should ensure that the terminal voltage of the motor in the process of starting motor is not lower than the rated voltage (85%); (3) by the resistance torque characteristics of mechanical transmission for water pump and fan resistance torque characteristics.

Under the above conditions, the motor is allowed to start two times in the actual state of cold state, and the motor is naturally stopped between the two starting, or the motor is started at the time of the motor thermal state. Again starting motor beyond the above limits should be in the parking 1 hours later.

If you need to drive the mechanical rotation part of inertia over the data in a table (load J) value, or require frequent starting motor, or may have started with heavy load of the motor, please contact the manufacture and prior consultation, in order to ensure the reliability of special design, starting motor.

Cooling fan motor type plug-in air-to-air led, to start the cooling fan to start the main motor.

七、订货须知 ORDER NOTICE

请在订货时必须注明以下内容:

- (1) 电机型号: (YX500-4)
- (2) 额定频率: (50Hz)
- (3) 额定功率: (1000kW)
- (4) 额定电压: (6kV)
- (5) 极数: (4级)
- (6) 防护等级: (Ip23)

Please indicate the following in order:

- (1) motor model: (YX500-4)
- (2) rated frequency: (50Hz)
- (3) rated dynamic rate: (1000kW)
- (4) rated voltage: (6kV)
- (5) the number of poles: (Level 4)
- (6) protection level: (Ip23)



YX YXKS YXKK 系列6KV/10KV、YCS10KV高效高压三相异步电动机

- (7) 冷却方法: (IC01)
- (8) 安装型式: (IMB3)
- (9) 旋转方向: [顺时针方向 (面对电动机轴伸端看)]
- (10) 出线盒位置: [电动机右侧 (面对电动机轴伸端看)]

- (7) cooling method: (Ic01)
- (8) installation type: (IMB3)
- (9) the direction of rotation: [a clockwise direction (in the face of the motor shaft extension)]
- (10) outlet box position: [on the right side of the motor (in the face of the motor shaft extension)]



注意事项 MATTERS NEEDING ATTENTION :

- a 核查被驱动机械设备转动惯量 (折算到电动机的转速后), 请查阅前述第六章: 鼠笼型电动机的起动;
- b 如工作条件有变化或其它特殊要求, 需另签订技术协议方可签订订货合同;
- c 样本内表中所列的技术性数据均为保证值, 可列入技术协议中作考核标准。
- d 本系列电动机H355 - H710均采用磁性槽楔, 如有要求非磁性槽楔时在订货时言明。
- e 本系列电机的内、外风扇均有方向性, 订货时必须注明电机旋转方向。
- f 对进口件, 我公司仅采购该品牌产品而不限产地。
- g 我公司仅提供电动机必需的备品备件, 概不提供客户可在市场上采购到的标准的, 额外的附件 (如扳手、阀门等)。
- h 我公司可提供除样本以外的YRX、YRXKK、YXL、YXKSL、YXKKL等高效高压三相异步电动机, 需另签订技术协议方可签订订货合同。
- I 随着技术的进步和有关国内外标准的修改, 样本内技术数据及尺寸有所变动, 恕不可另行通知, 订货后请向我公司索取正式外形图。

A verification is driven mechanical equipment moment of inertia (translated to the motor speed), please refer to the sixth chapter: the starting of squirrel cage motor;

B if there are any changes in working conditions or other special requirements, it is necessary to sign a contract with another technical agreement;The technical data listed in the

C sample table are guaranteed value and can be included in the technical agreement as an examination standard.The

D series motor is H355 - H710 with magnetic slot wedge, if implicit in order requires non magnetic slot wedge.

E this series of motor, and the direction of the fan, ordering must indicate the direction of rotation of the motor.

F to import parts, I only buy the brand products and not limited origin.

G we only provide the necessary spare parts of motor, shall not provide customers available in the market to purchase standard, additional accessories (such as wrenches, valves etc.).

H our company can provide YRX, YRXKK, YXL, YXKSL, YXKKL and other high efficiency and high voltage three-phase asynchronous motor, other than the sample, need to sign Technical agreement can be signed order contract.

I with the progress of technology and relevant standards at home and abroad to modify the sample technical data and size changes, we can not be further notice, please contact our company to obtain a formal profile.



**YX YXKS YXKK YCS系列
10KV高效高压三相异步电动机**

YX YXKS系列10KV高效高压三相异步电动机

YX(IP23)、YXKS(IP44)系列10KV技术数据

型号 Model	额定功率 Rated power (KW)	定子电流 stator current (A)	转速 speed (r/min)	效率 Efficiency (%)	功率 因数 power factor (cos φ)	最大 转矩 T _M T _N	堵转 转矩 T _{st} T _N	额定 堵转 电流 I _{st} I _N	年节 电量 Annual electricity (Kwh)	重量 Weight (kg)	
										YX	YXKS
450-2	220	15.7	2982	94.3 (93.0)	0.86	1.8	0.6	7.0	26089	3070	3520
	250	17.8	2982	94.5 (93.2)	0.86	1.8	0.6	7.0	29521	3070	3520
	280	19.8	2982	94.7 (93.5)	0.86	1.8	0.6	7.0	30358	3170	3620
	315	22.1	2981	94.8 (93.6)	0.87	1.8	0.6	7.0	34080	3270	3720
	355	24.8	2980	95.0 (93.8)	0.87	1.8	0.6	7.0	38245	3330	3820
	400	27.9	2980	95.2 (94.1)	0.87	1.8	0.6	7.0	39293	3430	3920
	450	31.3	2980	95.4 (94.3)	0.87	1.8	0.6	7.0	44065	3550	4020
	500	34.7	2980	95.5 (94.4)	0.87	1.8	0.6	7.0	48806	3600	4120
	560	38.9	2978	95.6 (94.5)	0.87	1.8	0.6	7.0	54548	3700	4220
	630	43.7	2978	95.6 (94.6)	0.87	1.8	0.6	7.0	55729	3750	4320
500-2	710	48.7	2985	95.7 (94.7)	0.88	1.8	0.6	7.0	62674	4290	48790
	800	54.8	2985	95.8 (94.8)	0.88	1.8	0.6	7.0	70470	4540	5140
	900	61.6	2983	95.9 (94.9)	0.88	1.8	0.6	7.0	79113	4490	5290
	1000	68.3	2983	96.0 (95.0)	0.88	1.8	0.6	7.0	87720	4830	5430
	1120	76.5	2983	96.1 (95.2)	0.88	1.8	0.6	7.0	88143	5030	5630
560-2	1250	84.2	2978	96.3 (95.4)	0.89	1.8	0.6	7.0	97964	6210	7040
	1400	94.2	2978	96.4 (95.5)	0.89	1.8	0.6	7.0	109491	6440	7240
	1600	107.7	2980	96.4 (95.6)	0.89	1.8	0.6	7.0	111113	6640	7440
630-2	1800	119.7	2985	96.5 (95.7)	0.90	1.8	0.6	7.0	124742	10580	11480
	2000	132.8	2985	96.6 (95.8)	0.90	1.8	0.6	7.0	138314	10770	11670
	2240	148.4	2985	96.8 (96.0)	0.90	1.8	0.6	7.0	154270	10970	11870
450-4	220	15.7	1491	94.2 (92.9)	0.86	1.8	0.7	7.0	26145	2570	3070
	250	17.6	1490	94.3 (93.0)	0.87	1.8	0.7	7.0	29647	2680	3180
	280	19.7	1489	94.4 (93.1)	0.87	1.8	0.7	7.0	33134	2760	3260
	315	21.9	1488	94.5 (93.2)	0.88	1.8	0.7	7.0	37196	2840	3340
	355	24.6	1488	94.6 (93.3)	0.88	1.8	0.7	7.0	41830	2940	3440
	400	27.7	1487	94.7 (93.5)	0.88	1.8	0.7	7.0	46932	3100	3600
	450	31.0	1487	95.1 (93.9)	0.88	1.8	0.7	7.0	48377	3220	3720
	500	34.5	1486	95.1 (94.0)	0.88	1.8	0.7	7.0	53638	3340	3840
	560	38.6	1486	95.3 (94.2)	0.88	1.8	0.7	7.0	54894	3480	4000
	630	43.3	1486	95.5 (94.4)	0.88	1.8	0.7	7.0	61496	3620	4120
500-4	710	48.5	1488	96.0 (95.0)	0.88	1.8	0.7	7.0	62281	4280	4880
	800	54.7	1488	96.0 (95.1)	0.88	1.8	0.7	7.0	63091	4430	5030
	900	60.8	1487	96.1 (95.2)	0.89	1.8	0.7	7.0	70830	4580	5180
	1000	67.4	1487	96.2 (95.3)	0.89	1.8	0.7	7.0	78535	4750	5350
	1120	75.4	1487	96.3 (95.4)	0.89	1.8	0.7	7.0	87776	4910	5530

注：1、括号内效率值为国家标准值
 2、年节电量(KWh)为 每年按8000h计算值



YX YXKS系列10KV高效高压三相异步电动机

YX(IP23)、YXKS(IP44)系列10KV技术数据

型号 Model	额定功率 Rated power (KW)	定子电流 stator current (A)	转速 speed (r/min)	效率 Efficiency (%)	功率因数 power factor (cos φ)	最大转矩 额定转矩 $\frac{T_M}{T_N}$	堵转转矩 额定转矩 $\frac{T_B}{T_N}$	额定电流 堵转电流 $\frac{I_B}{I_N}$	年节电量 Annual electricity (Kwh)	重量 Weight (kg)	
										YX	YXKS
560-4	1250	81.1	1488	96.4 (95.5)	0.89	1.8	0.7	7.0	97760	6270	6970
	1400	94.1	1488	96.5 (95.7)	0.89	1.8	0.7	7.0	109036	6460	7180
	1600	107	1487	96.6 (95.8)	0.89	1.8	0.7	7.0	110652	6690	7400
630-4	1800	120.8	1491	96.7 (95.9)	0.89	1.8	0.6	7.0	124225	9570	10460
	2000	134.0	1491	96.8 (96.0)	0.89	1.8	0.6	7.0	137741	9870	10760
	2240	150.0	1491	96.9 (96.1)	0.89	1.8	0.6	7.0	153950	10030	11060
710-4	2500	171	1492	96.9 (95.8)	0.87	1.8	0.5	6.5	236992	12400	12800
	2800	192	1492	96.9 (95.9)	0.87	1.8	0.5	6.5	241049	12900	13300
	3150	216	1492	96.9 (96.0)	0.87	1.8	0.5	6.5	243808	13400	13800
	3550	243	1492	96.9 (96.1)	0.87	1.8	0.5	6.5	243984	15900	14300
	4000	274	1492	96.9 (96.2)	0.87	1.8	0.5	6.5	240297	14400	14800
	4500	308	1492	96.9 (96.2)	0.87	1.8	0.5	6.5	270335	14900	15300
800-4	5000	341	1491	97.0 (96.2)	0.87	1.8	0.5	6.5	342219	17500	18500
	5600	383	1492	97.0 (96.3)	0.87	1.8	0.5	6.5	383286	18600	19400
	6300	430	1494	97.1 (96.4)	0.87	1.8	0.5	6.5	376905	19700	20400
900-4	7100	479	1494	97.2 (96.5)	0.88	1.8	0.5	6.5	423890	22700	23600
	8000	539	1493	97.3 (96.6)	0.88	1.8	0.5	6.5	476637	23800	24700
	9000	606	1494	97.3 (96.7)	0.88	1.8	0.5	6.5	535113	24900	25900
1000-4	10000	673	1494	97.4 (96.8)	0.88	1.8	0.5	6.5	509104	30200	31000
	11200	753	1494	97.5 (96.9)	0.88	1.8	0.5	6.5	569024	31800	32100
	12500	840	1494	97.6 (97.0)	0.88	1.8	0.5	6.5	633767	33300	34300
	14000	940	1494	97.7 (97.1)	0.88	1.8	0.5	6.5	708362	35000	36000
	16000	1074	1492	97.7 (97.2)	0.88	1.8	0.5	6.5	673936	39600	40500
	18000	1207	1493	97.8 (97.3)	0.88	1.8	0.5	6.5	756625	39600	40500
450-6	220	17.1	992	94.0 (92.6)	0.79	1.8	0.7	7.0	28308	2870	3420
	250	19.0	991	94.1 (92.7)	0.81	1.8	0.7	6.5	32099	2910	3460
	280	20.9	990	94.2 (92.8)	0.82	1.8	0.7	6.0	35874	2980	3530
	315	23.3	990	94.2 (92.8)	0.83	1.8	0.7	6.0	40358	3100	3650
	355	26.2	990	94.4 (93.1)	0.83	1.8	0.7	6.0	42009	3240	3790
	400	29.4	989	94.6 (93.3)	0.83	1.8	0.7	6.0	47133	3400	3950
	450	33.1	990	94.7 (93.5)	0.83	1.8	0.7	6.0	52779	3560	4120
	500	36.5	992	95.1 (93.9)	0.83	1.8	0.7	6.0	53752	3960	4560
500-6	560	40.4	992	95.2 (94.1)	0.84	1.8	0.7	6.0	55010	4110	4710
	630	45.3	992	95.5 (94.4)	0.84	1.8	0.7	6.0	61496	4280	4880
	710	51.0	992	95.6 (94.6)	0.84	1.8	0.7	6.0	62806	4410	5010
	800	57.5	992	95.7 (94.7)	0.84	1.8	0.7	6.0	70618	4550	5150
	900	62.3	990	95.9 (94.7)	0.87	1.8	0.7	6.0	79113	5890	6590
	560-6	1000	69.1	990	96.0 (95.1)	0.87	1.8	0.7	6.0	87536	6060
1120		77.3	990	96.2 (95.3)	0.87	1.8	0.7	6.0	87959	6260	6940
1250		86.1	990	96.3 (95.4)	0.87	1.8	0.7	6.0	97964	6440	7120

注：1、括号内效率值为国家标准值

2、年节电量(KWh)为每年按8000h计算值

YX YXKS系列10KV高效高压三相异步电动机

YX(IP23)、YXKS(IP44)系列10KV技术数据

型号 Model	额定功率 Rated power (KW)	定子电流 stator current (A)	转速 speed (r/min)	效率 Efficiency (%)	功率因数 power factor (cos φ)	最大转矩 T _M T _N	堵转转矩 T _{st} T _N	额定堵转电流 I _{st} I _N	年节电量 Annual electricity (Kwh)	重量 Weight (kg)	
										YX	YXKS
630-6	1400	97.4	992	96.5 (95.7)	0.86	1.8	0.6	6.0	109036	8520	9420
	1600	111.2	992	96.6 (95.8)	0.86	1.8	0.6	6.0	110651	8720	9620
	1800	125.1	991	96.6 (95.9)	0.86	1.8	0.6	6.0	124225	8940	9840
710-6	2000	139	994	96.6 (95.5)	0.86	1.8	0.6	6.5	190780	10850	11250
	2240	156	994	96.6 (95.6)	0.86	1.8	0.6	6.5	194045	11350	11750
	2500	174	994	96.6 (95.7)	0.86	1.8	0.6	6.5	194708	11850	12250
	2800	194	994	96.7 (95.8)	0.86	1.8	0.6	6.5	217620	12350	12750
	3150	218	994	96.7 (95.9)	0.86	1.8	0.6	6.5	217393	12850	13250
	3550	246	994	96.8 (96.0)	0.86	1.8	0.6	6.5	244490	13350	13750
800-6	4000	277	996	96.9 (96.1)	0.86	1.8	0.6	6.5	274911	21400	21100
	4500	311	995	96.9 (96.1)	0.86	1.8	0.6	6.5	309275	22200	23000
	5000	346	995	96.9 (96.2)	0.86	1.8	0.6	6.5	342928	23200	24000
900-6	5600	383	995	96.9 (96.2)	0.87	1.8	0.6	6.5	384070	24200	25000
	6300	430	996	97.0 (96.3)	0.87	1.8	0.6	6.5	377686	25400	26000
	7100	485	996	97.1 (96.4)	0.87	1.8	0.6	6.5	424766	26900	27700
500-8	220	18.6	745	93.6 (92.1)	0.73	1.8	0.7	6.0	30624	3250	3850
	250	20.3	744	93.8 (92.3)	0.76	1.8	0.7	6.0	34651	3390	3990
	280	22.6	744	94.0 (92.6)	0.76	1.8	0.7	6.0	36028	3530	4130
	315	25.1	743	94.2 (92.8)	0.77	1.8	0.7	6.0	40358	3810	4410
	355	28.2	743	94.4 (93.1)	0.77	1.8	0.7	6.0	42009	3950	4550
	400	31.3	743	94.5 (93.2)	0.78	1.8	0.7	6.0	47233	4090	4690
	450	35.2	744	94.6 (93.4)	0.78	1.8	0.7	6.0	52911	4230	4830
	500	38.5	744	95.0 (93.8)	0.79	1.8	0.7	6.0	53866	4410	4930
	560	43.0	744	95.1 (93.9)	0.79	1.8	0.7	6.0	60202	4590	5190
560-8	630	46.4	742	95.5 (94.4)	0.82	1.8	0.7	6.0	61496	5890	6590
	710	52.3	742	95.6 (94.6)	0.82	1.8	0.7	6.0	62806	6100	6800
	800	58.9	742	95.7 (94.7)	0.82	1.8	0.7	6.0	70618	6280	6980
	900	66.1	742	95.8 (94.8)	0.82	1.8	0.7	6.0	79363	6460	7160
630-8	1000	72.5	743	96.0 (95.0)	0.83	1.8	0.7	6.0	87720	8470	9370
	1120	81.1	742	96.1 (95.2)	0.83	1.8	0.7	6.0	88143	8650	9550
	1250	90.4	742	96.2 (95.3)	0.83	1.8	0.7	6.0	98169	8830	9730

注：1、括号内效率值为国家标准值

2、年节电量(KWh)为每年按8000h计算值



YX YXKS系列10KV高效高压三相异步电动机

YX(IP23)、YXKS(IP44)系列10KV技术数据

型号 Model	额定功率 Rated power (KW)	定子电流 stator current (A)	转速 speed (r/min)	效率 Efficiency (%)	功率因数 power factor (cos φ)	最大转矩 额定转矩 $\frac{T_M}{T_N}$	堵转转矩 额定转矩 $\frac{T_{st}}{T_N}$	额定电流 堵转电流 $\frac{I_M}{I_N}$	年节电量 Annual electricity (Kwh)	重量 Weight (kg)	
										YX	YXKS
710-8	1400	99	744	96.2 (94.9)	0.85	1.8	0.6	6.5	159485	10100	10500
	1600	113	744	96.2 (95.0)	0.85	1.8	0.6	6.5	168071	10600	11000
	1800	127	744	96.2 (95.1)	0.85	1.8	0.6	6.5	173141	11100	11500
	2000	141	744	96.2 (95.2)	0.85	1.8	0.6	6.5	174706	11600	12000
	2240	158	744	96.2 (95.3)	0.85	1.8	0.6	6.5	175920	12100	12500
	2500	176	744	96.3 (95.4)	0.85	1.8	0.6	6.5	195929	12600	13000
800-8	2800	195	744	96.4 (95.5)	0.86	1.8	0.6	6.5	218983	16400	17200
	3150	219	745	96.4 (95.9)	0.86	1.8	0.6	6.5	245843	17200	18000
	3550	247	746	96.5 (96.0)	0.86	1.8	0.6	6.5	276485	18000	18800
900-8	4000	277	746	96.6 (95.8)	0.86	1.8	0.6	6.5	310886	23700	24500
	4500	312	746	96.7 (95.9)	0.86	1.8	0.6	6.5	310561	24700	25500
	5000	346	746	96.8 (96.0)	0.86	1.8	0.6	6.5	344353	25700	26500
1000-8	5600	388	746	96.9 (96.1)	0.86	1.8	0.6	6.0	384876	25360	26160
	6300	436	745	96.9 (96.2)	0.86	1.8	0.6	6.0	432089	26760	27560
	7100	491	745	97.0 (96.3)	0.86	1.8	0.6	6.0	485951	28160	28960
	8000	553	746	97.1 (96.5)	0.86	1.8	0.6	6.0	547551	29560	30360
500-10	220	19.2	594	93.6 (92.1)	0.72	1.8	0.7	5.5	30624	4150	4750
	250	21.7	594	93.7 (92.2)	0.72	1.8	0.7	5.5	34726	4310	4910
	280	23.6	593	93.9 (92.4)	0.74	1.8	0.7	5.5	38726	4460	5060
	315	26.1	593	94.0 (92.6)	0.74	1.8	0.7	5.5	40531	4610	5210
	355	29.4	592	94.2 (92.8)	0.75	1.8	0.7	5.5	45483	4780	5380
	400	32.7	592	94.3 (93.0)	0.75	1.8	0.7	5.5	51030	4950	5550
560-10	450	35.7	595	94.5 (93.2)	0.77	1.8	0.7	6.0	53137	5740	6440
	500	39.6	595	94.6 (93.4)	0.77	1.8	0.7	6.0	58790	5900	6600
	560	43.8	595	94.7 (93.5)	0.78	1.8	0.7	6.0	65703	6090	6790
	630	49.1	595	94.9 (93.7)	0.78	1.8	0.7	6.0	68015	6310	7010
	710	55.3	595	95.1 (93.9)	0.78	1.8	0.7	6.0	76328	6490	7190

注：1、括号内效率值为国家标准值

2、年节电量(KWh)为每年按8000h计算值

YX YXKS系列10KV高效高压三相异步电动机

YX(IP23)、YXKS(IP44)系列10KV技术数据

型号 Model	额定功率 Rated power (KW)	定子电流 stator current (A)	转速 speed (r/min)	效率 Efficiency (%)	功率因数 power factor (cos φ)	最大转矩 额定转矩 $\frac{T_M}{T_N}$	堵转转矩 额定转矩 $\frac{T_{st}}{T_N}$	额定电流 堵转电流 $\frac{I_{st}}{I_N}$	年节电量 Annual electricity (Kwh)	重量 Weight (kg)	
										YX	YXKS
630-10	800	60.5	595	95.4 (94.3)	0.80	1.8	0.7	6.0	78255	8580	9480
	900	67.9	594	95.6 (94.5)	0.80	1.8	0.7	6.0	87667	8750	9650
	1000	75.5	595	95.6 (94.6)	0.80	1.8	0.7	6.0	88459	8990	9890
	1120	84.5	595	95.7 (94.7)	0.80	1.8	0.7	6.0	98866	9230	10130
710-10	1250	92	595	95.7 (94.5)	0.82	1.8	0.6	6.0	132690	10600	11000
	1400	103	595	95.7 (94.6)	0.82	1.8	0.6	6.0	136084	11100	11500
	1600	118	595	95.7 (94.7)	0.82	1.8	0.6	6.0	141237	11600	12000
	1800	132	595	95.8 (94.8)	0.82	1.8	0.6	6.0	158558	12100	12500
	2000	147	595	95.9 (94.9)	0.82	1.8	0.6	6.0	175810	12600	13000
800-10	2240	162	595	96.6 (95.8)	0.83	1.8	0.6	6.0	196491	17000	17700
	2500	181	596	96.0 (95.1)	0.83	1.8	0.6	6.0	218840	17800	18500
	2800	202	596	96.1 (95.2)	0.83	1.8	0.6	6.0	244588	18600	19300
900-10	3150	225	596	96.2 (95.3)	0.84	1.8	0.6	6.0	247386	24700	25500
	3550	253	596	96.3 (95.4)	0.84	1.8	0.6	6.0	278219	25700	26500
	4000	285	596	96.4 (95.5)	0.84	1.8	0.6	6.0	312833	26700	27500
1000-10	4500	320	596	96.4 (95.6)	0.84	1.8	0.6	6.0	351204	27500	28300
	5000	355	596	96.5 (95.7)	0.84	1.8	0.6	6.0	389416	28900	29700
	5600	398	596	96.6 (95.8)	0.84	1.8	0.6	6.0	435240	30300	31100
	6300	448	596	96.7 (95.8)	0.84	1.8	0.6	6.0	489644	21700	32500
	7100	504	596	96.8 (95.9)	0.84	1.8	0.6	6.0	550677	33100	33900

注：1、括号内效率值为国家标准值

2、年节电量(KWh)为每年按8000h计算值



YX YXKS系列10KV高效高压三相异步电动机

YX(IP23)、YXKS(IP44)系列10KV技术数据

型号 Model	额定功率 Rated power (KW)	定子电流 stator current (A)	转速 speed (r/min)	效率 Efficiency (%)	功率因数 power factor (cos φ)	最大转矩 额定转矩 $\frac{T_{max}}{T_N}$	堵转转矩 额定转矩 $\frac{T_{st}}{T_N}$	额定电流 堵转电流 $\frac{I_{st}}{I_N}$	年节电量 Annual electricity (Kwh)	重量 Weight (kg)	
										YX	YXKS
560-12	250	22.7	497	93.6 (92.1)	0.68	1.8	0.7	6.0	34800	5360	6060
	280	24.6	496	93.7 (92.2)	0.70	1.8	0.7	6.0	38893	5570	6270
	315	26.6	496	93.8 (92.3)	0.73	1.8	0.7	6.0	43660	5740	6440
	355	29.9	496	93.9 (92.5)	0.73	1.8	0.7	6.0	48994	5900	6660
	400	33.6	496	94.1 (92.7)	0.73	1.8	0.7	6.0	51358	6090	6790
	450	37.8	495	94.2 (92.9)	0.73	1.8	0.7	6.0	57531	6310	7010
	500	41.8	495	94.5 (93.2)	0.73	1.8	0.7	6.0	59041	6530	7230
630-12	560	46.1	496	94.7 (93.5)	0.74	1.8	0.7	6.0	65705	8430	9330
	630	51.8	496	94.9 (93.7)	0.74	1.8	0.7	6.0	68015	8620	9520
	710	58.2	496	95.1 (93.9)	0.74	1.8	0.7	6.0	76328	8830	9730
	800	65.5	496	95.3 (94.3)	0.74	1.8	0.7	6.0	78255	9030	9940
710-12	900	71	496	95.3 (93.9)	0.77	1.8	0.6	6.0	112642	9650	10050
	1000	79	496	95.3 (94.0)	0.77	1.8	0.6	6.0	116095	10150	10450
	1120	88	496	95.3 (94.1)	0.77	1.8	0.6	6.0	119897	10650	10950
	1250	97	496	95.3 (94.2)	0.78	1.8	0.6	6.0	122532	11150	11450
	1400	109	496	95.4 (94.3)	0.78	1.8	0.6	6.0	136946	11650	11950
	1600	122	496	95.5 (94.4)	0.79	1.8	0.6	6.0	156181	12150	12450
800-12	1800	137	495	95.6 (94.5)	0.79	1.8	0.6	6.0	175333	16450	17200
	2000	150	495	95.6 (94.6)	0.80	1.8	0.6	6.0	194406	17150	17900
	2240	168	497	95.7 (94.7)	0.80	1.8	0.6	6.0	217278	17850	18600
900-12	2500	184	497	95.8 (94.8)	0.82	1.8	0.6	6.0	220220	23900	24700
	2800	206	497	95.9 (94.9)	0.82	1.8	0.6	6.0	246129	24800	25600
1000-12	3150	231	497	96.0 (95.0)	0.82	1.8	0.6	6.0	276516	27000	27800
	3550	260	497	96.0 (95.1)	0.82	1.8	0.6	6.0	310752	28400	29200
	4000	293	497	96.1 (95.2)	0.82	1.8	0.6	6.0	349412	29800	50600
	4500	329	497	96.2 (95.5)	0.82	1.8	0.6	6.0	392268	31200	32000
	5000	366	497	96.3 (95.5)	0.82	1.8	0.6	6.0	435854	32600	33400

注：1、括号内效率值为国家标准值

2、年节电量(KWh)为每年按8000h计算值

YXKK系列10KV高效高压三相异步电动机

YXKK(IP44)、(IP54)系列10KV技术数据

型号 Model	额定功率 Rated power (KW)	定子电流 stator current (A)	转速 speed (r/min)	效率 Efficiency (%)	功率因数 power factor (COS φ)	最大转矩 额定转矩 $\frac{T_M}{T_N}$	堵转转矩 额定转矩 $\frac{T_B}{T_N}$	额定电流 堵转电流 $\frac{I_B}{I_N}$	年节电量 Annual electricity (Kwh)	重量 Weight (kg)
450-2	220	15.5	2984	94.0 (91.9)	0.87	2.0	0.7	7.0	30757	3320
	250	17.4	2984	94.2 (92.1)	0.88	2.0	0.7	7.0	34800	3320
	280	19.3	2983	94.3 (92.3)	0.89	2.0	0.7	7.0	36339	3420
	315	21.6	2983	94.5 (92.7)	0.89	2.0	0.7	7.0	40444	3520
	355	24.3	2982	94.7 (92.9)	0.89	2.0	0.7	7.0	42189	3620
	400	27.3	2982	94.9 (93.1)	0.89	2.0	0.7	7.0	47334	3720
	450	30.7	2979	95.1 (93.2)	0.89	2.0	0.7	7.0	53137	3850
	500	34.1	2979	95.2 (93.3)	0.89	2.0	0.7	7.0	58916	3980
500-2	560	38.1	2986	95.3 (94.4)	0.89	2.0	0.7	7.0	54663	4900
	630	42.9	2986	95.3 (94.7)	0.89	2.0	0.7	7.0	55612	5020
	710	48.3	2985	95.4 (94.9)	0.89	2.0	0.7	7.0	62411	5270
	800	54.3	2985	95.5 (95.0)	0.89	2.0	0.7	7.0	70715	5320
	900	61.1	2985	95.6 (95.0)	0.89	2.0	0.7	7.0	78947	5480
560-2	1000	67.8	2981	95.7 (95.0)	0.89	2.0	0.7	7.0	87720	6840
	1120	75.8	2981	95.0 (95.2)	0.89	2.0	0.7	7.0	88143	7040
	1250	84.5	2981	96.0 (95.4)	0.89	2.0	0.7	7.0	97964	7240
630-2	1400	94.5	2985	96.1 (95.6)	0.89	2.0	0.7	7.0	97224	11280
	1600	108.0	2986	96.1 (95.8)	0.89	2.0	0.7	7.0	110651	11480
	1800	121.4	2986	96.2 (96.0)	0.89	2.0	0.7	7.0	123967	11680
450-4	220	16.0	1491	92.8 (90.6)	0.86	2.0	0.8	7.0	35780	3020
	250	18.0	1490	93.2 (91.0)	0.86	2.0	0.9	7.0	37795	3120
	280	20.1	1489	93.4 (91.3)	0.86	2.0	0.8	7.0	44484	3210
	315	22.5	1489	93.8 (91.7)	0.86	2.0	0.8	7.0	47127	3290
	355	25.3	1489	94.3 (92.0)	0.86	2.0	0.8	7.0	52768	3580
	400	28.5	1489	94.4 (92.4)	0.86	2.0	0.8	7.0	55323	3700
	450	31.9	1489	94.8 (92.8)	0.86	2.0	0.8	7.0	57654	3820
	500	35.4	1489	94.8 (93.2)	0.86	2.0	0.8	7.0	59041	3960
500-4	560	39.6	1491	95.0 (93.6)	0.86	2.0	0.8	7.0	60586	4380
	630	44.4	1491	95.2 (94.1)	0.86	2.0	0.8	7.0	61887	4580
	710	49.2	1490	95.7 (94.2)	0.87	2.0	0.8	7.0	69598	4780
	800	55.5	1490	95.7 (94.3)	0.87	2.0	0.8	7.0	78255	4960
	900	62.3	1490	95.8 (94.6)	0.87	2.0	0.8	7.0	79613	5110
560-4	1000	67.6	1489	95.9 (94.6)	0.89	2.0	0.8	7.0	88459	6830
	1120	75.7	1489	96.0 (94.7)	0.89	2.0	0.8	7.0	98866	7040
	1250	84.4	1489	96.1 (94.8)	0.89	2.0	0.8	7.0	110110	7230

注：1、括号内效率值为国家标准值

2、年节电量(KWh)为每年按8000h计算值



YXKK系列10KV高效高压三相异步电动机

YXKK(IP44)、(IP54)系列10KV技术数据

型号 Model	额定功率 Rated power (KW)	定子电流 stator current (A)	转速 speed (r/min)	效率 Efficiency (%)	功率因数 power factor (cos φ)	最大转矩 额定转矩 $\frac{T_M}{T_N}$	堵转转矩 额定转矩 $\frac{T_B}{T_N}$	额定电流 堵转电流 $\frac{I_B}{I_N}$	年节电量 Annual electricity (Kwh)	重量 Weight (kg)
630-4	1400	94.4	1492	96.2 (95.0)	0.89	2.0	0.8	7.0	122807	9000
	1600	107.8	1492	96.3 (95.2)	0.89	2.0	0.8	7.0	125920	9170
	1800	121.1	1491	96.4 (95.4)	0.89	2.0	0.8	7.0	141069	9340
710-4	2000	138	1493	96.5 (95.3)	0.87	2.0	0.6	6.5	208776	13200
	2240	154	1493	96.6 (95.4)	0.87	2.0	0.6	6.5	233342	13700
	2500	172	1493	96.6 (95.5)	0.87	2.0	0.6	6.5	233475	14200
	2800	192	1493	96.6 (95.6)	0.87	2.0	0.6	6.5	242557	14700
	3150	216	1493	96.7 (95.7)	0.87	2.0	0.6	6.5	272309	15200
	3550	244	1493	96.7 (95.7)	0.87	2.0	0.6	6.5	306888	15700
	4000	275	1493	96.7 (95.8)	0.87	2.0	0.6	6.5	310886	16200
800-4	4500	310	1494	96.7 (95.8)	0.87	2.0	0.6	6.5	195110	19900
	5000	344	1494	96.8 (95.8)	0.87	2.0	0.6	6.5	259878	21000
450-6	220	17.0	992	93.3 (91.7)	0.80	2.0	0.8	6.5	32914	3430
	250	18.8	992	93.6 (92.0)	0.82	2.0	0.8	6.5	37161	3530
	280	21.0	992	93.8 (92.4)	0.82	2.0	0.8	6.5	38726	3650
	315	23.6	992	94.0 (92.7)	0.82	2.0	0.8	6.5	40444	3770
	355	26.5	992	94.2 (93.0)	0.82	2.0	0.8	6.5	45289	3890
500-6	400	29.8	994	94.4 (93.1)	0.82	2.0	0.8	7.0	50921	4390
	450	33.1	994	94.5 (93.4)	0.83	2.0	0.8	7.0	52911	4530
	500	36.6	994	94.9 (93.6)	0.83	2.0	0.8	7.0	54095	4660
	560	41.0	994	95.0 (94.0)	0.83	2.0	0.8	7.0	60075	4820
	630	46.0	994	95.3 (94.3)	0.83	2.0	0.8	7.0	61626	4980
560-6	710	50.0	992	95.4 (94.5)	0.86	2.0	0.8	7.0	69159	6570
	800	56.2	992	95.5 (94.6)	0.86	2.0	0.8	7.0	77762	6770
	900	63.1	992	95.7 (94.7)	0.86	2.0	0.8	7.0	87299	6910
	1000	70.1	992	95.8 (94.9)	0.86	2.0	0.8	7.0	87903	7080
630-6	1120	77.4	994	96.0 (95.0)	0.87	2.0	0.8	7.0	98246	9210
	1250	86.3	994	96.1 (95.2)	0.87	2.0	0.8	7.0	98374	9430
	1400	96.5	994	96.3 (95.4)	0.87	2.0	0.8	7.0	109720	9650
	1600	110.1	994	96.4 (95.5)	0.87	2.0	0.8	7.0	125133	9950

注：1、括号内效率值为国家标准值

2、年节电量(KWh)为每年按8000h计算值

YXKK系列10KV高效高压三相异步电动机

YXKK(IP44)、(IP54)系列10KV技术数据

型号 Model	额定功率 Rated power (KW)	定子电流 stator current (A)	转速 speed (r/min)	效率 Efficiency (%)	功率因数 power factor (COS φ)	最大转矩 额定转矩 $\frac{T_M}{T_N}$	堵转转矩 额定转矩 $\frac{T_D}{T_N}$	额定电流 堵转电流 $\frac{I_M}{I_N}$	年节电量 Annual electricity (Kwh)	重量 Weight (kg)
710-6	1800	125	994	96.4 (95.2)	0.86	2.0	0.6	6.5	188291	12150
	2000	139	994	96.4 (95.3)	0.86	2.0	0.6	6.5	191577	12650
	2240	156	994	96.4 (95.4)	0.86	2.0	0.6	6.5	194855	13150
	2500	174	994	96.4 (95.4)	0.86	2.0	0.6	6.5	217473	13650
	2800	195	994	96.5 (95.5)	0.86	2.0	0.6	6.5	243062	14150
	3150	219	994	96.5 (95.6)	0.86	2.0	0.6	6.5	245843	14650
800-6	3550	247	995	96.6 (95.7)	0.86	2.0	0.6	6.5	276485	24000
	4000	278	994	96.7 (95.8)	0.86	2.0	0.6	6.5	276629	25000
	4500	312	995	96.7 (95.9)	0.86	2.0	0.6	6.5	310561	26000
900-6	5000	343	995	96.7 (96.0)	0.87	2.0	0.6	6.5	301620	27000
	5600	384	995	96.7 (96.1)	0.87	2.0	0.6	6.5	337114	28000
	6300	432	995	96.8 (96.1)	0.87	2.0	0.6	6.5	379254	29000
500-8	220	18.4	745	93.3 (91.6)	0.74	2.0	0.8	6.0	30957	3820
	250	20.3	745	93.5 (91.7)	0.76	2.0	0.8	6.0	37402	3980
	280	22.7	745	93.8 (92.1)	0.76	2.0	0.8	6.0	38952	4080
	315	25.5	745	94.0 (92.4)	0.76	2.0	0.8	6.0	43567	4230
	355	28.6	745	94.4 (92.8)	0.76	2.0	0.8	6.0	45483	4500
	400	31.7	745	94.5 (93.2)	0.77	2.0	0.8	6.0	47233	4650
	450	35.7	745	94.6 (93.4)	0.77	2.0	0.8	6.0	52911	4800
560-8	500	38.5	744	95.0 (93.6)	0.79	2.0	0.8	6.0	54095	6550
	560	43.1	744	95.1 (93.8)	0.79	2.0	0.8	6.0	60330	6760
	630	48.2	744	95.5 (94.0)	0.79	2.0	0.8	6.0	67584	6970
	710	53.6	744	95.6 (94.2)	0.80	2.0	0.8	6.0	69598	7180
630-8	800	59.0	744	95.7 (94.3)	0.82	2.0	0.8	6.0	78255	8800
	900	66.1	744	95.8 (94.5)	0.82	2.0	0.8	6.0	97667	9150
	1000	73.3	743	96.0 (94.6)	0.82	2.0	0.8	6.0	97203	9500
710-8	1120	80	745	96.1 (94.5)	0.84	2.0	0.7	6.5	157860	10800
	1250	89	745	96.2 (94.6)	0.84	2.0	0.7	6.5	175814	11300
	1400	100	745	96.2 (94.7)	0.84	2.0	0.7	6.5	184410	11800
	1600	114	745	96.2 (94.8)	0.84	2.0	0.7	6.5	196496	12300
	1800	129	745	96.2 (94.9)	0.84	2.0	0.7	6.5	205052	12800
	2000	143	745	96.2 (95.0)	0.84	2.0	0.7	6.5	210089	13300
	2240	160	745	96.2 (95.1)	0.84	2.0	0.7	6.5	215464	13800

注：1、括号内效率值为国家标准值

2、年节电量(KWh)为每年按8000h计算值

YXKK系列10KV高效高压三相异步电动机

YXKK(IP44)、(IP54)系列10KV技术数据

型号 Model	额定功率 Rated power (KW)	定子电流 stator current (A)	转速 speed (r/min)	效率 Efficiency (%)	功率因数 power factor (cos φ)	最大转矩 额定转矩 $\frac{T_{max}}{T_N}$	堵转转矩 额定转矩 $\frac{T_{st}}{T_N}$	额定电流 堵转电流 $\frac{I_{st}}{I_N}$	年节电量 Annual electricity (Kwh)	重量 Weight (kg)
900-10	2800	204	597	96.1 (95.2)	0.83	2.0	0.7	6.0	122933	27600
	3150	229	597	96.2 (95.5)	0.83	2.0	0.7	6.0	158011	28500
	3550	257	597	96.3 (95.4)	0.83	2.0	0.7	6.0	155211	29400
1000-10	4000	290	596	96.4 (95.4)	0.83	2.0	0.7	6.0	209644	30000
	4500	326	596	96.4 (95.5)	0.83	2.0	0.7	6.0	235357	31400
	5000	362	596	96.5 (95.5)	0.83	2.0	0.7	6.0	261508	32800
560-12	220	20.1	497	93.0 (90.5)	0.68	2.0	0.9	5.5	37926	6100
	250	22.8	497	93.2 (90.6)	0.68	2.0	0.9	5.5	43003	6230
	280	24.7	497	93.4 (91.1)	0.70	2.0	0.8	5.5	45043	6390
	315	27.4	496	93.6 (91.5)	0.71	2.0	0.8	5.5	50236	6530
	355	30.3	496	93.9 (92.0)	0.72	2.0	0.8	5.5	52768	6670
	400	34.1	496	94.1 (92.3)	0.72	2.0	0.8	5.5	55442	6810
	450	38.3	496	94.2 (92.6)	0.72	2.0	0.8	5.5	57902	6960
630-12	500	42.4	497	94.5 (93.2)	0.72	2.0	0.8	5.5	59041	9650
	560	47.4	497	94.7 (93.4)	0.72	2.0	0.8	5.5	65845	9850
	630	53.2	496	94.9 (93.6)	0.72	2.0	0.8	5.5	68160	10150
	710	60.0	494	95.1 (93.8)	0.72	2.0	0.8	5.5	76490	10520
710-12	800	64	495	95.3 (93.8)	0.76	2.0	0.7	6.0	107393	10850
	900	72	495	95.3 (93.9)	0.76	2.0	0.7	6.0	112642	11250
	1000	79	495	95.3 (94.0)	0.77	2.0	0.7	6.0	116095	11650
	1120	88	495	95.3 (94.1)	0.77	2.0	0.7	6.0	119897	12150
	1250	97	495	95.3 (94.2)	0.78	2.0	0.7	6.0	122532	12550
	1400	109	495	95.4 (94.3)	0.78	2.0	0.7	6.0	136946	12950
800-12	1600	123	497	95.5 (94.4)	0.79	2.0	0.7	6	128052	24200
	1800	138	497	95.6 (94.5)	0.79	2.0	0.7	6	143756	25000
	2000	153	496	95.6 (94.6)	0.79	2.0	0.7	6	141831	25900
900-12	2240	169	495	95.7 (94.7)	0.80	2.0	0.7	6	158516	26700
	2500	189	497	95.8 (94.8)	0.80	2.0	0.7	6	176544	27600
1000-12	2800	208	497	95.9 (94.9)	0.81	2.0	0.7	6	197315	28500
	3150	234	497	96.0 (95.0)	0.81	2.0	0.7	6	221514	29800
	3550	264	497	96.0 (95.1)	0.81	2.0	0.7	6	249120	31100
	4000	297	497	96.1 (95.1)	0.81	2.0	0.7	6	280699	32400

注：1、括号内效率值为国家标准值

2、年节电量(KWh)为每年按8000h计算值



YXKK系列10KV高效高压三相异步电动机

YXKK(IP44)、(IP54)系列10KV技术数据

型号 Model	额定功率 Rated power (KW)	定子电流 stator current (A)	转速 speed (r/min)	效率 Efficiency (%)	功率因数 power factor (cos φ)	最大转矩 额定转矩 $\frac{T_M}{T_N}$	堵转转矩 额定转矩 $\frac{T_{st}}{T_N}$	额定电流 堵转电流 $\frac{I_{st}}{I_N}$	年节电量 Annual electricity (Kwh)	重量 Weight (kg)
800-8	2500	177	745	96.3 (95.2)	0.85	2.0	0.7	6.5	175070	18550
	2800	198	745	96.4 (95.3)	0.85	2.0	0.7	6.5	195669	19300
	3150	222	745	96.4 (95.4)	0.85	2.0	0.7	6.5	219668	20150
900-8	3550	251	745	96.5 (95.5)	0.85	2.0	0.7	6.5	216390	25800
	4000	282	745	96.6 (95.6)	0.85	2.0	0.7	6.5	243312	26700
	4500	317	746	96.7 (95.7)	0.85	2.0	0.7	6.5	273157	27600
1000-8	5000	348	746	96.8 (95.8)	0.86	2.0	0.6	6.5	302876	28600
	5600	390	746	96.9 (95.9)	0.86	2.0	0.6	6.5	338517	30000
	6300	438	746	96.9 (95.9)	0.86	2.0	0.6	6.5	380831	31400
500-10	220	18.9	595	93.2 (91.5)	0.72	2.0	0.8	5.5	35085	4710
	250	21.5	594	93.4 (91.7)	0.72	2.0	0.8	5.5	37402	4840
	280	23.3	594	93.7 (92.1)	0.74	2.0	0.8	5.5	38977	4960
	315	25.5	593	93.9 (92.3)	0.76	2.0	0.8	5.5	43660	5090
	355	28.7	593	94.2 (92.6)	0.76	2.0	0.8	5.5	45678	5220
560-10	400	31.5	595	94.3 (92.7)	0.78	2.0	0.8	5.5	51358	6290
	450	35.2	595	94.5 (92.8)	0.78	2.0	0.8	5.5	57654	6450
	500	39.1	595	94.6 (93.0)	0.78	2.0	0.8	5.5	63787	6610
	560	43.8	595	94.7 (93.1)	0.78	2.0	0.8	5.5	71289	6770
630-10	630	49.1	595	94.9 (93.5)	0.78	2.0	0.8	5.5	73919	9390
	710	55.3	595	95.1 (93.7)	0.78	2.0	0.8	5.5	76652	9650
	800	62.1	595	95.4 (94.1)	0.78	2.0	0.8	5.5	78586	9820
	900	69.7	596	95.6 (94.4)	0.78	2.0	0.8	5.5	87852	9990
710-10	1000	75	594	95.6 (94.3)	0.80	2.0	0.7	6.0	115362	11200
	1120	84	594	95.7 (94.4)	0.80	2.0	0.7	6.0	128934	11700
	1250	94	594	95.7 (94.5)	0.80	2.0	0.7	6.0	132690	12100
	1400	104	594	95.7 (94.6)	0.81	2.0	0.7	6.0	136084	12500
	1600	119	594	95.7 (94.7)	0.81	2.0	0.7	6.0	141237	13000
	1800	134	594	95.8 (94.8)	0.81	2.0	0.7	6.0	158558	13500
800-10	2000	147	595	95.9 (94.9)	0.82	2.0	0.7	6.0	105926	19200
	2240	165	597	96.0 (95.0)	0.82	2.0	0.7	6.0	98760	20000
	2500	184	597	96.0 (95.1)	0.82	2.0	0.7	6.0	109992	20800

注：1、括号内效率值为国家标准值

2、年节电量(KWh)为每年按8000h计算值



YCS系列10KV高效高压三相异步电动机

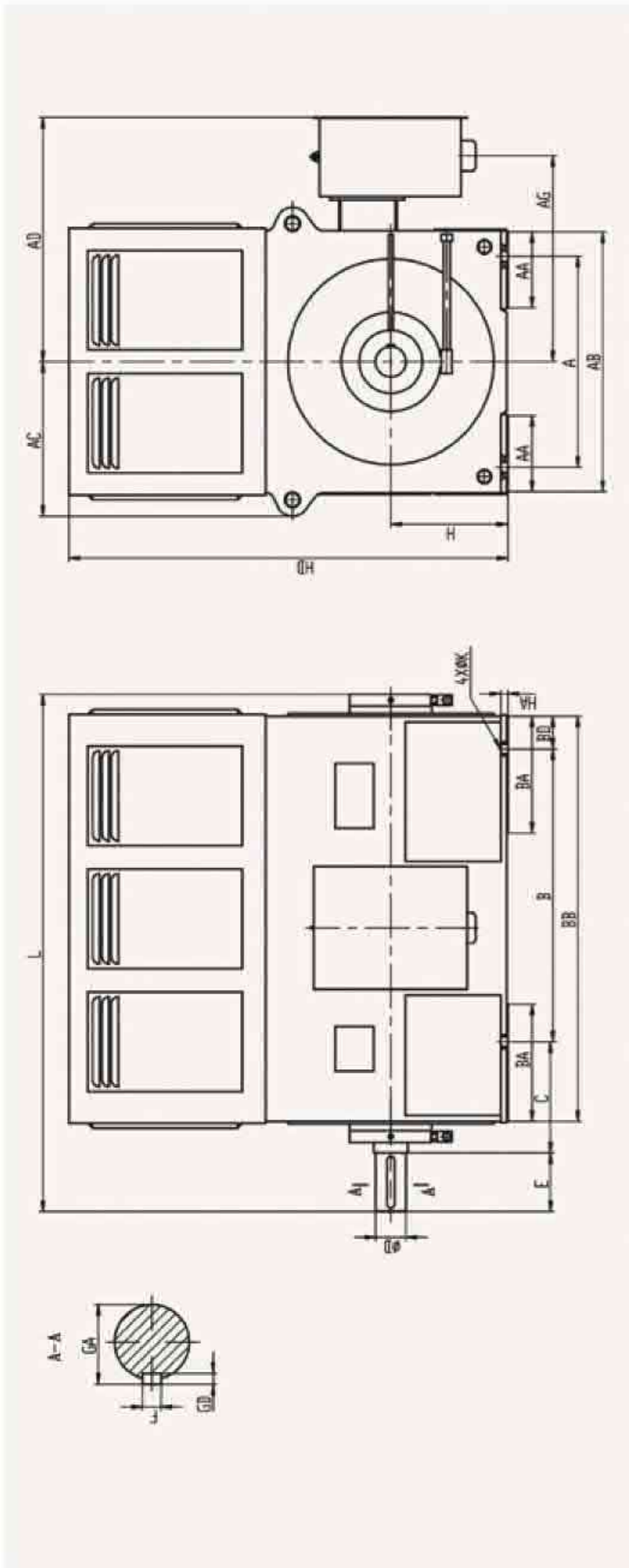
YCS系列1KV-4P-10000kW~25000KW技术数据

型号 Model	额定功率 Rated power (KW)	额定电压 Rated voltage V	定子电流 stator current (A)	频率 frequency Hz	转速 speed (r/min)	效率 Efficiency (%)	功率因数 power factor (cos φ)	Ist/In	Tst/Tn	Tmax/Tn	转动惯量 Moment of inertia J/kg.m ²	允许负载惯量 Allowable load inertia J/kg.m ²
1000-4	10000	10000	670	50	1488	97.02	0.888	4.67	0.89	1.88	1039	2509
	11200	10000	749.3	50	1487	97.06	0.889	4.5	0.87	1.80	1194	2731
	12500	10000	833.4	50	1488	97.16	0.891	4.7	0.92	1.88	1293	3055
	14000	10000	935.3	50	1487	97.43	0.887	4.58	0.90	1.83	1338	3058
	16000	10000	1072.7	50	1486	97.12	0.887	4.47	0.96	1.76	1470	3318
1120-4	18000	10000	1189	50	1489	97.6	0.896	4.52	0.77	1.82	1859	3193
	20000	10000	1320.8	50	1488	97.6	0.896	4.36	0.76	1.75	2020	3380
	22400	10000	1480	50	1488	97.63	0.895	4.41	0.79	1.76	2123	3604
	25000	10000	1650	50	1489	97.72	0.895	4.59	0.84	1.82	2240	3775

注：年节电量(KWh)为 每年按8000h计算值

YX系列10KV高效高压三相异步电动机

YX(IP23)系列10KV异步电动机（机座号450-630）外形及安装尺寸图



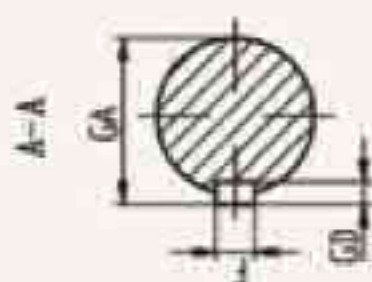
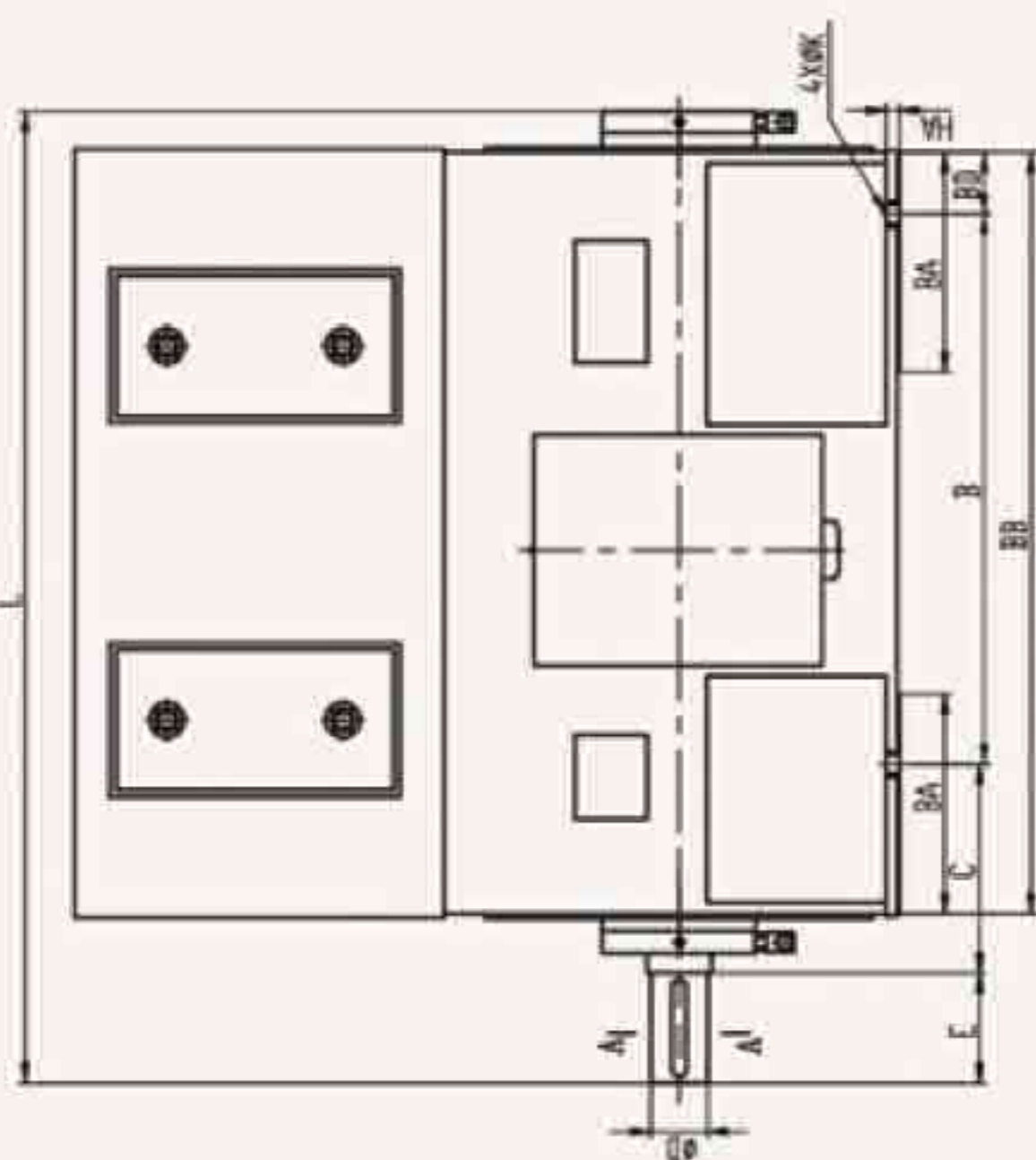
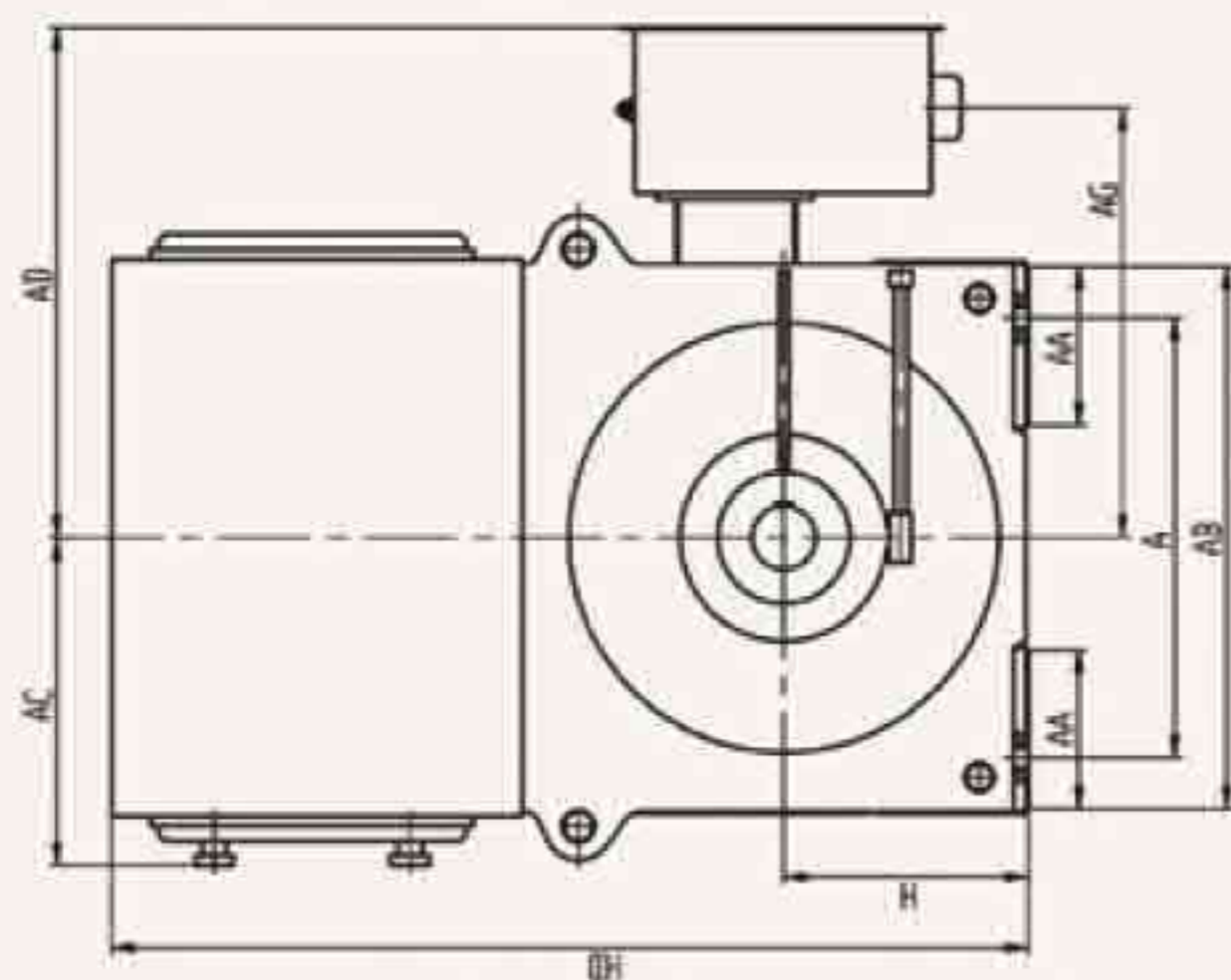
机座号 Frame No.	极数 No. of poles	安装尺寸及公差 Mounting dimensions										外形尺寸 Overall dimensions										
		A	B	C	D	E	F	GA	GD	H	K	AA	AB	AC	AD	AG	BA	BB	BD	BA	HD	L
450	2			400±4	90 ^{+0.08} _{-0.133}	170 ^{+0.09}	25	95	14			150	1000	600	1020	760	500	1650	265		1540	2050
	4	800±1.76	1120±1.76	355±4	110 ^{+0.08} _{-0.133}	210 ^{+0.07}	28	116	16	450 ⁰ _{-1.0}	35							1650	270	35	1400	2040
	6																	1760	380			2150
500	2				100 ^{+0.08} _{-0.133}	210 ^{+0.07}	28	106	16			165	1120	660	1170	880	500	2010	380		1650	2410
	4	900±2.10	1250±2.10	475±4	120 ^{+0.08} _{-0.133}			127	18	500 ⁰ _{-1.0}	42							2010	380	35		2410
	6-8				130 ^{+0.08} _{-0.133}	250 ^{+0.07}	32	137	18									1810	180		1560	2240
	10																	2010	380			2440
560	2			560±4	130 ^{+0.08} _{-0.133}	250 ^{+0.07}	32	137	18			190	1240	740	1230	940	600	2010	325		1700	2760
	4	1000±2.10	1400±2.10	500±4	150 ^{+0.08} _{-0.133}	300 ^{+0.06}	40	158	20	560 ⁰ _{-1.0}	42							2210	430	40	1690	2670
	6-12				160 ^{+0.08} _{-0.133}			169	22									2010	230			2520
630	2			560±4	140 ^{+0.08} _{-0.133}	250 ^{+0.07}	36	148	20			250	1400	840	1310	1020	640	2210	325		1950	2960
	4	1200±2.10	1600±2.10	530±4	170 ^{+0.08} _{-0.133}	300 ^{+0.06}	40	179	22	630 ⁰ _{-1.0}	48	250	1400	840	1310	1020	640	2210	205	53	1930	2740
	6-8				180 ^{+0.08} _{-0.133}			190	25									2210	205			2740
	10-12																	2210	205			2740

注：H560-2和H630-2为滑动轴承



YXKS系列10KV高效高压三相异步电动机

YXKS(IP44)系列10KV异步电动机（机座号450-630）外形及安装尺寸图

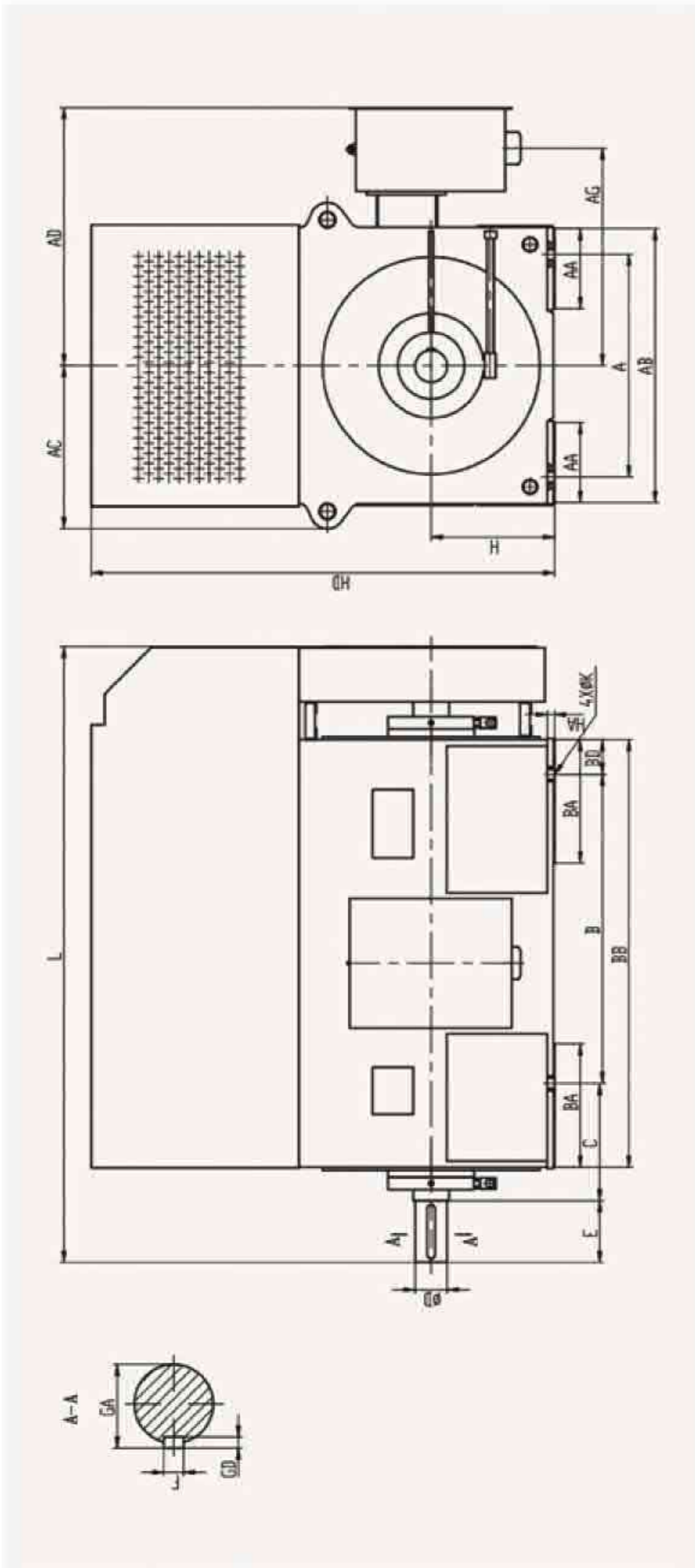


机座号 Frame No.	磁极 Poles	安装尺寸及公差 Mounting dimensions										外形尺寸 Overall dimensions										
		A	B	C	D	E	F	GA	GO	H	K	AA	AB	AC	AD	AG	BA	BB	BD	HA	HD	L
450	2			400±4	90 ^{+0.025} _{-0.015}	170±0.30	25	95	14									1650	265		1540	2050
	4	800±1.75	1120±1.75	355±4	110 ^{+0.025} _{-0.015}	210±0.37	28	116	16	450 ⁰ _{-1.0}	35	150	1000	700	1020	760	500	1650	270	35	1400	2040
	6																	1680	300			2070
500	2				100 ^{+0.025} _{-0.015}	210±0.37	28	106	16									2010	380		1650	2410
	4	900±2.10	1250±2.10	475±4	120 ^{+0.025} _{-0.015}		32	127	18	500 ⁰ _{-1.0}	42	165	1120	760	1170	880	500	2010	380	35	1560	2410
	6-8				130 ^{+0.025} _{-0.015}	250±0.57		137	18									1810	180			2240
	10																	2010	380			2440
560	2			560±4	130 ^{+0.025} _{-0.015}	250±0.57	32	137	18									2010	325		1700	2760
	4	1000±2.10	1400±2.10	500±4	150 ^{+0.025} _{-0.015}	300±0.66	40	158	20	560 ⁰ _{-1.0}	42	190	1240	870	1230	940	600	2210	430	40	1690	2670
	6-12				160 ^{+0.025} _{-0.015}	300±0.66	40	169	22									2010	230			2520
630	2			560±4	140 ^{+0.025} _{-0.015}	250±0.57	36	148	20									2210	325		1950	2960
	4	1200±2.10	1600±2.10	530±4	170 ^{+0.025} _{-0.015}	300±0.66	40	179	22	630 ⁰ _{-1.0}	48	250	1400	900	1310	1020	640	2210	205	5.3	1930	2740
	6-8				180 ^{+0.025} _{-0.015}	300±0.66	45	190	25									2210	205			2740
	10-12																	2210	205			2740

注：H560-2和H630-2为滑动轴承

YXKK系列10KV高效高压三相异步电动机

YXKK(IP44)系列10KV异步电动机(机座号450-630)外形及安装尺寸图

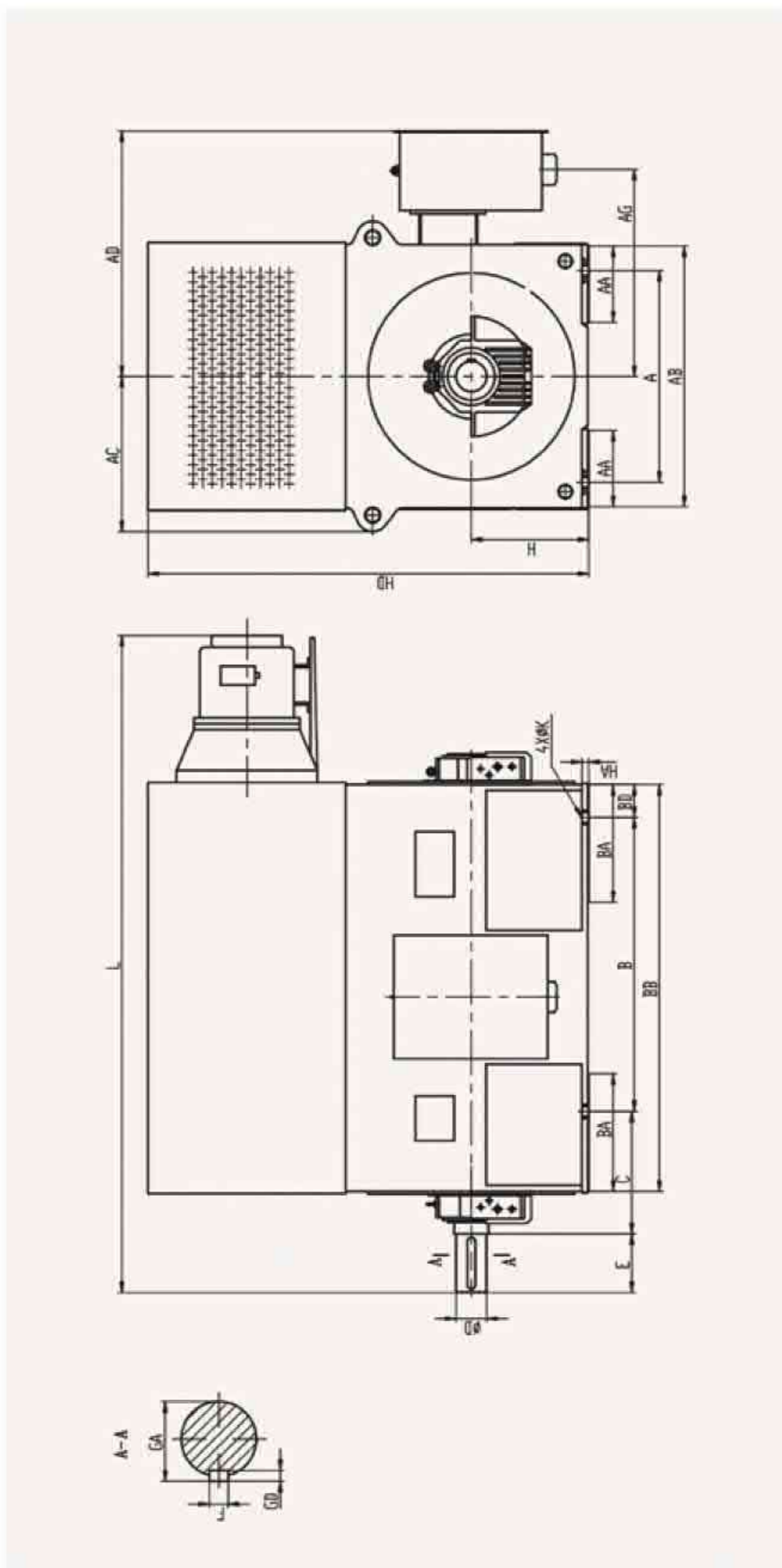


机座号 Frame No.	极数 No. of pole	安装尺寸及公差 Mounting dimensions										外形尺寸 Overall dimensions										
		A	B	C	D	E	F	GA	GD	H	K	AA	AB	AC	AD	AG	BA	BB	BO	HA	HD	L
450	2			400 ⁺⁴	90 ^{+0.021} _{-0.013}	170 ^{+0.50}	25	95	14			150	1000	600	1020	760	500	1650	265			2260
	4	800 ^{+1.75}	1120 ^{+1.75}	355 ⁺⁴	110 ^{+0.026} _{-0.013}	210 ^{+0.57}	28	116	16	450 ^{+1.5}	35			600	1020	760	500	1650	270	35	1830	2330
	6																	1760	380			2440
500	2			560 ⁺⁴	100 ^{+0.022} _{-0.012}	210 ^{+0.57}	28	106	16									2010	300			2020
	4	900 ^{+2.10}	1250 ^{+2.10}	475 ⁺⁴	120 ^{+0.023} _{-0.013}	250 ^{+0.57}	32	127	18	500 ^{+1.5}	42	165	1120	660	1170	880	500	2010	360	35	1830	2710
	6-8				130 ^{+0.026} _{-0.013}	250 ^{+0.57}		137	18									1680	300			2560
	10																	1680	300			2360
560	4	1000 ^{+2.10}	1400 ^{+2.10}	500 ⁺⁴	150 ^{+0.026} _{-0.013}	250 ^{+0.57}	36	158	20	560 ^{+1.5}	42	190	1240	740	1230	940	600	2210	430	40	2250	3050
	6-12				160 ^{+0.026} _{-0.013}	300 ^{+0.66}	40	160	22									2010	230			2900
630	4				170 ^{+0.026} _{-0.013}	300 ^{+0.66}	40	179	22	630 ^{+1.5}	48	250	1400	840	1310	1020	640	2210	205	53	2570	3230
	6-8	1120 ^{+2.10}	1600 ^{+2.10}	530 ⁺⁴	180 ^{+0.026} _{-0.013}	300 ^{+0.66}	45	190	25								2210	205			3170	
	10-12																2210	205			3170	



YXKK系列10KV高效高压三相异步电动机

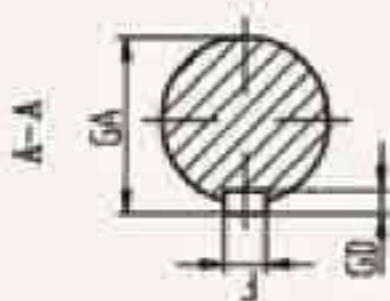
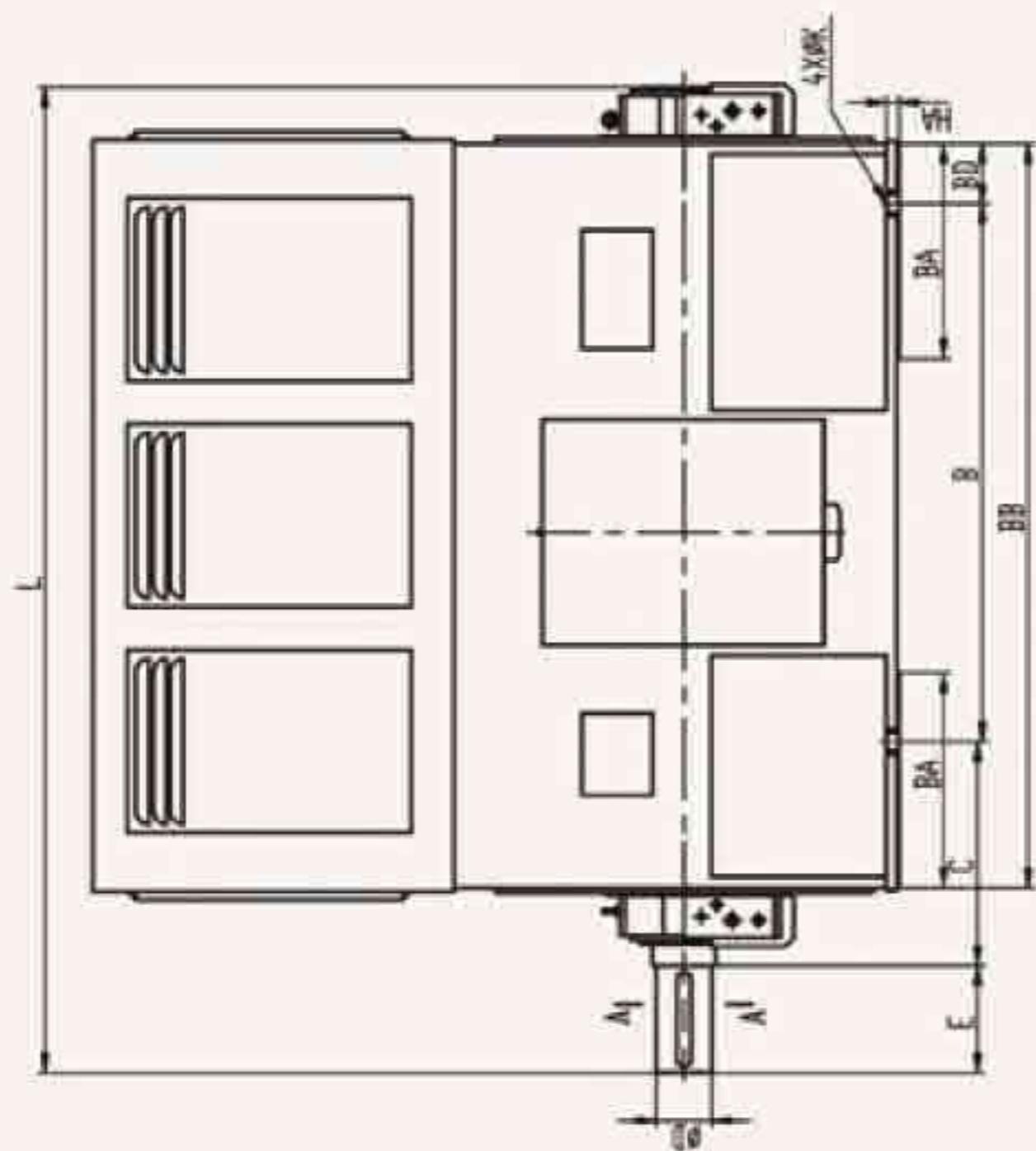
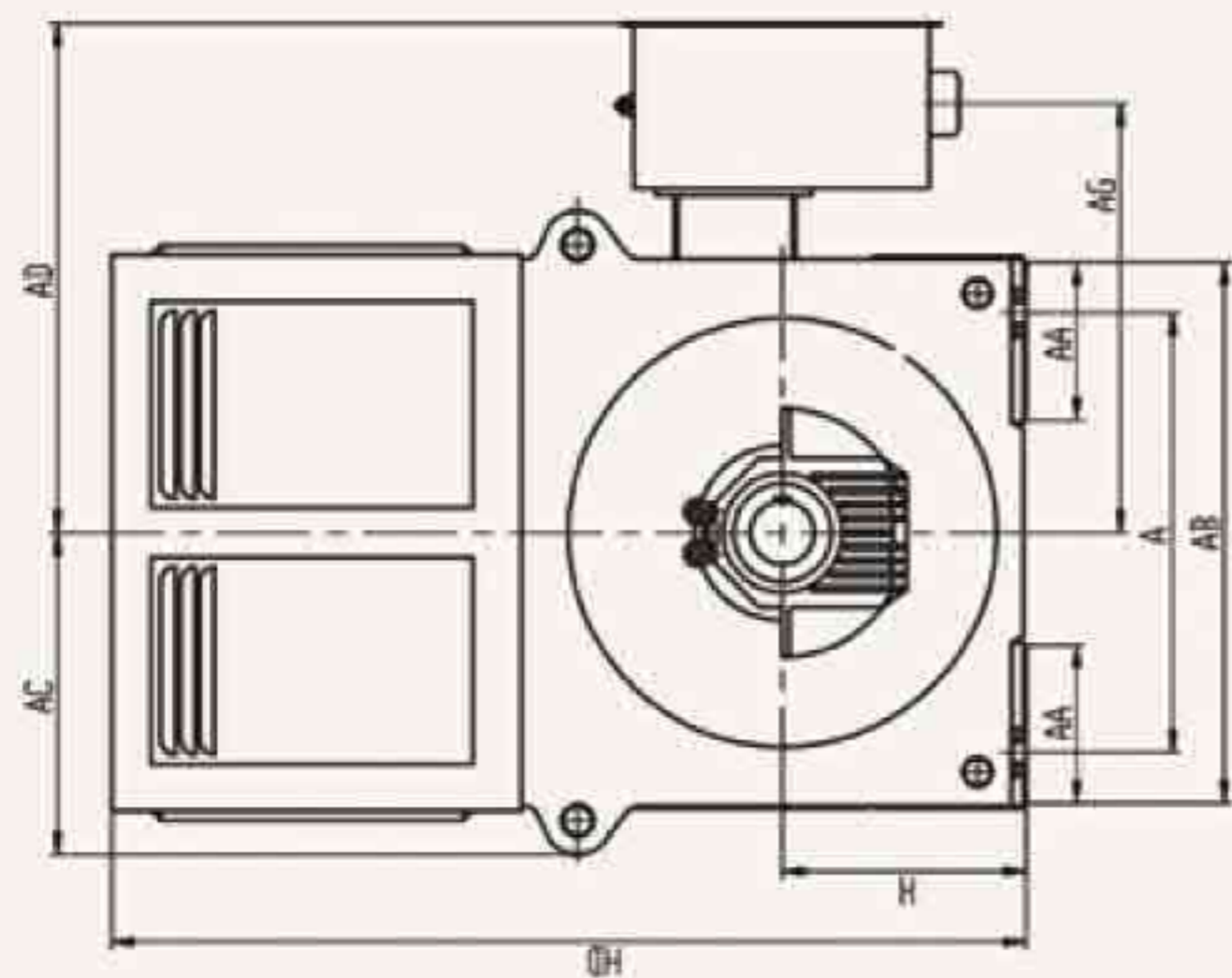
YXKK(IP44)560-630-2系列10KV异步电动机外形及安装尺寸图



机座号 Frame No.	极数 No. of pole	安装尺寸及公差 Mounting dimensions														外形尺寸 Overall dimensions						
		A	B	C	D	E	F	GA	GD	H	K	AA	AB	AC	AD	AG	BA	BB	BD	HA	HD	L
560	2	1000 ^{+2.10}	1400 ^{+2.10}	560 ^{+1.4}	130 ^{+0.048} _{-0.015}	250 ^{+0.057}	32	137	18	560 ⁺⁰ _{-1.6}	42	190	1240	740	1440	940	600	2010	325	40	2180	3700
630	2	1120 ^{+2.10}	1600 ^{+2.10}	560 ^{+1.4}	140 ^{+0.048} _{-0.015}	250 ^{+0.057}	36	148	20	630 ⁺⁰ _{-1.6}	48	235	1400	840	1630	1020	640	2210	325	53	2530	3900

YX系列10KV高效高压三相异步电动机

YX(IP23)系列大型电动机外形及安装尺寸图

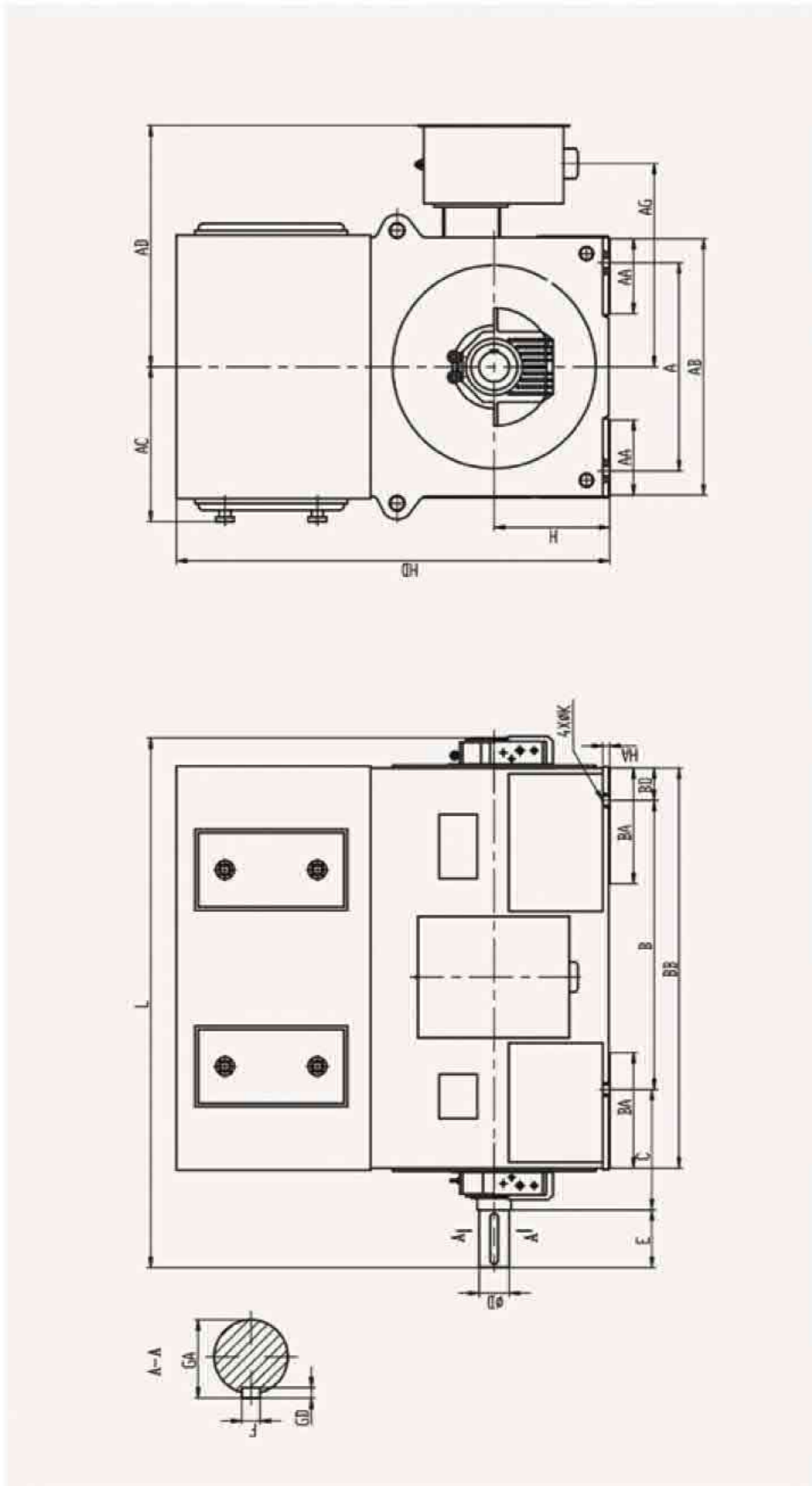


机座号 Frame No.	安装尺寸及公差 Mounting dimensions											外形尺寸 Overall dimensions									
	A	B	C	D	E	F	GA	GD	H	K	AA	AB	AC	AD	AG	BA	BB	BD	BA	HD	L
710	1400±28	1800±28	530±42	200 ^{+0.248} _{-0.217}	350±0.70	45	210	25	710 ⁰ _{-1.5}	56	280	1600	930	1500	1135	560	2390	295	61	2400	3200
800	1600±28	2000±28	530±42	220 ^{+0.248} _{-0.217}	350±0.70	50	231	26	800 ⁰ _{-1.5}	56	280	1860	1100	1600	1265	560	2590	345	70	3300	3500
900	1800±35	2240±35	600±42	250 ^{+0.248} _{-0.217}	410±0.77	56	262	32	900 ⁰ _{-1.5}	66	310	2060	1200	1700	1355	600	2790	275	70	3500	3800
1000	2000±35	2500±35	600±42	280 ^{+0.248} _{-0.217}	470±0.77	63	292	32	1000 ⁰ _{-1.5}	66	310	2250	1300	1800	1450	600	2990	245	70	3800	4200



YXKS系列10KV高效高压三相异步电动机

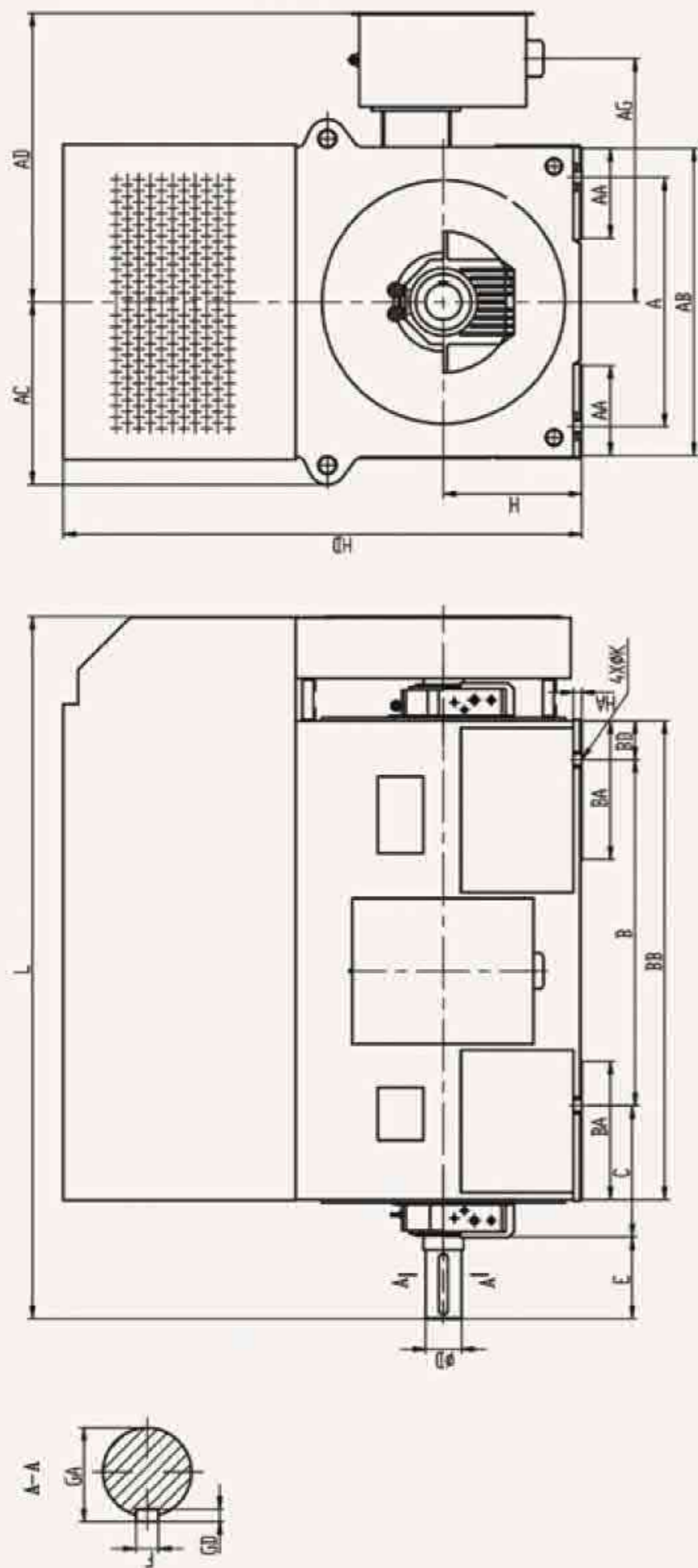
YXKS(IP44)系列大型电动机外形及安装尺寸图



机座号 Frame No.	安装尺寸及公差 Mounting dimensions											外形尺寸 Overall dimensions									
	A	B	C	D	E	F	GA	GD	H	K	AA	AB	AC	AD	AG	BA	BB	BD	HA	HD	L
710	1400 ⁺²⁸	1800 ⁺²⁸	530 ⁺⁴²	200 ^{+0.048 -0.017}	350 ^{+0.70}	45	210	25	710 ^{-0.5}	56	280	1600	930	1500	1135	560	2390	295	61	2400	3200
800	1600 ⁺²⁸	2000 ⁺²⁸	530 ⁺⁴²	220 ^{+0.048 -0.017}	350 ^{+0.70}	50	231	28	800 ^{-0.5}	56	280	1860	1100	1600	1265	560	2590	345	70	3300	3500
900	1800 ⁺³⁵	2240 ⁺³⁵	600 ⁺⁴²	250 ^{+0.048 -0.017}	410 ^{+0.77}	56	262	32	900 ^{-0.5}	66	310	2060	1200	1700	1355	600	2790	275	70	3500	3800
1000	2000 ⁺³⁵	2500 ⁺³⁵	600 ⁺⁴²	280 ^{+0.048 -0.020}	470 ^{+0.77}	63	292	32	1000 ^{-0.5}	66	310	2250	1300	1800	1450	600	2990	245	70	3800	4200

YXKK系列10KV高效高压三相异步电动机

YXKK(IP54)系列大型电动机外形及安装尺寸图

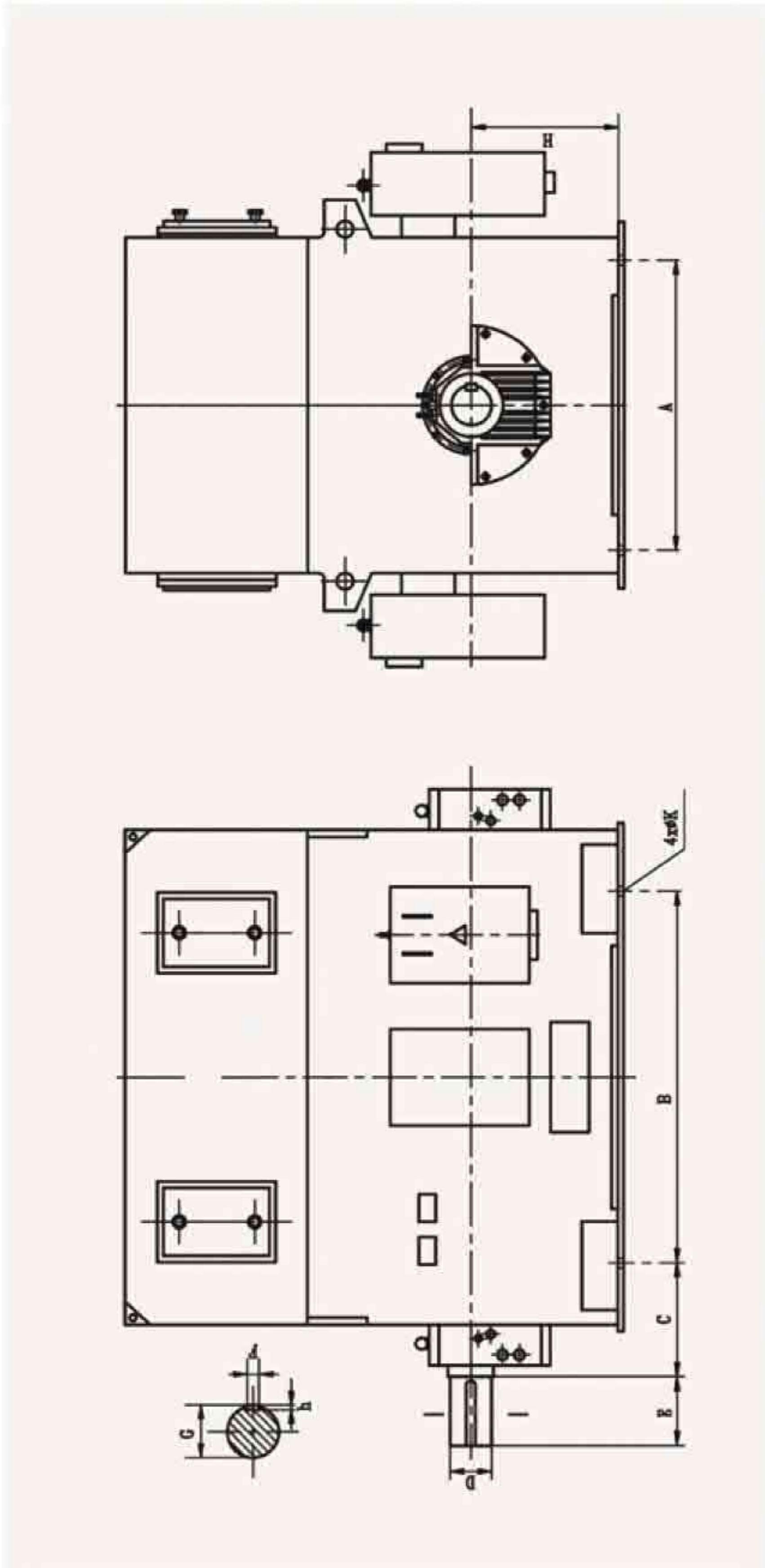


机座号 Frame No.	安装尺寸及公差 Mounting dimensions											外形尺寸 Overall dimensions									
	A	B	C	D	E	F	GA	GD	H	K	AA	AB	AC	AD	AG	BA	BB	BD	HA	HD	L
710	1400±28	1800±28	530±42	200 ^{+0.048} _{-0.017}	350±0.70	45	210	25	710 ⁰ _{-1.3}	56	280	1600	930	1500	1135	560	2390	285	61	2710	3580
800	1600±28	2000±28	530±42	220 ^{+0.048} _{-0.017}	350±0.70	50	231	28	800 ⁰ _{-1.3}	56	280	1860	1100	1600	1265	560	2590	345	70	3300	3900
900	1800±35	2240±35	600±42	250 ^{+0.048} _{-0.017}	410±0.77	56	262	32	900 ⁰ _{-1.3}	66	310	2060	1200	1700	1355	600	2790	275	70	3500	4400
1000	2000±35	2500±35	600±42	280 ^{+0.048} _{-0.017}	470±0.77	63	292	32	1000 ⁰ _{-1.3}	66	310	2250	1300	1800	1450	600	2990	245	70	4100	4700



YCS系列10KV高效高压三相异步电动机

YCS(IP54)系列大型电动机外形及安装尺寸图



机座号 Frame No.	极数 No. of pole	安装尺寸及公差 Mounting dimension															
		A		B		C		D		E		F	h	G	H		K
		基本尺寸 Basic dimension	极限公差 Tolerance limit	基本尺寸 Basic dimension	极限公差 Tolerance limit	基本尺寸 Basic dimension	极限公差 Tolerance limit	基本尺寸 Basic dimension	极限公差 Tolerance limit	基本尺寸 Basic dimension	极限公差 Tolerance limit	基本尺寸 Basic dimension	基本尺寸 Basic dimension	基本尺寸 Basic dimension	极限公差 Tolerance limit	基本尺寸 Basic dimension	基本尺寸 Basic dimension
1000	4	2000	±35	2500	±35	600	±42	280	+0.052 +0.025	470	±0.77	63	32	292	1000	0 -1.5	66
1120	4	2240	±35	2800	±35	630	±42	320	+0.057 +0.021	470	±0.77	70	35	334	1120	0 -1.5	74

注：YCS外形尺寸根据合同要求制定。

电机振动国家标准

按照中华人民共和国国家标准《轴中心高为56mm及以上电机的机械振动 振动的测量、评定及限值》(GB10068-2008)对电机振动的标准要求。在标准要求的条件下,我公司电机空载运行时,工厂振动试验所测得的用位移、速度表示的振动强度限值分别为:37 μ m、2.3mm/s。

国家标准的节选内容如下:

● 振动强度限值

振动限值适用于在第5章中规定的频率范围所测得的振动速度、位移和加速度的宽带方均根值。

用这三个测量量值的最大值来评价振动的强度。

如第6章所规定的两种安装条件,轴中心高56mm及以上直流和三相交流电机的振动强度应不超过表1中的限值。

振动等级划分为两种。如未指明振动等级时,电机的振动限值应符合等级“A”的要求。

转速为600r/min~3600r/min的电机,检查试验时,只需测量振动的速度。型式试验时,所以三种振动量值都应测量。

注:当检查试验是在自由悬置安装条件下做的,型式试验则必须包括在刚性安装情况下的试验。这一条适用于本标准所有速度范围。

表1 不同轴中心高H (mm)用位移、速度和加速度表示的振动强度限制 (方均根值)

振动等级	轴中心高/mm	56≤H≤132			132≤H≤280			H>280		
	安装方式	位移/ μ m	速度/(mm/s)	加速度/(m/s ²)	位移/ μ m	速度/(mm/s)	加速度/(m/s ²)	位移/ μ m	速度/(mm/s)	加速度/(m/s ²)
A	自由悬置	25	1.6	2.5	35	2.2	3.5	45	2.8	4.4
	刚性安装	21	1.3	2.0	29	1.8	2.8	37	2.3	3.6
B	自由悬置	11	0.7	1.1	18	1.1	1.7	29	1.8	2.8
	刚性安装	—	—	—	14	0.9	1.4	24	1.5	2.4

注1:等级“A”适用于对振动无特殊要求的电机。

注2:等级“B”适用于对振动有特殊要求的电机。轴中心高小于132mm的电机,不考虑刚性安装。

注3:位移与速度,速度与加速度的接口频率分别为10Hz和250Hz。

注1:制造厂和用户应考虑到检测仪器可能有 $\pm 10\%$ 的测量容差。

注2:以相同机座带底脚卧式电机的轴中心高作为机座无底脚电机、底脚朝上安装式电机或立式的轴中心高。

注3:一台电机,自身平衡较好且振动强度等级符合表1的要求,但安装在现场中因受各种因素,如地基不平、负载机械的反作用以及电源中纹波电流的影响等等,也会显示较大的振动。另外,由于所驱动的诸单位的固有频率与电机旋转体微小残余不平衡的激励频率极为接近也会引起振动,在这些情形下,不仅只是对电机,而且对装置中的每一单元都要检验,见ISO10816-3。



电机噪声国家标准

中华人民共和国国家标准《旋转电机噪声测定方法及限值第3部分：噪声限值》(GB10069.3-2008)对电机噪声的标准有如下说明及要求。

噪声可用声功率或声压级表示，单位均为分贝(dB)。电机噪声一般按声功率级考核，声功率级和声压级数值根据电机大小(包络面面积)不同有较大差异，一般情况下声功率级比声压级数值大15~18(dB)。

· 国标第6页对电机在空载运行时，对应不同的转速、冷却方式、额定输出功率情况下所测得的声功率级Lw(dB)规定不得超过下表数值。

额定转速 nN(r/min)	nN ≤ 960			960 < nN ≤ 1320			1320 < nN ≤ 1900			1900 < nN ≤ 2360			2360 < nN ≤ 3150			2360 < nN ≤ 3150		
	IC01 IC11 IC21	IC411 IC511 IC611	IC31 IC71W IC81W IC8A1W7	IC01 IC11 IC21	IC411 IC511 IC611	IC31 IC71W IC81W IC8A1W7	IC01 IC11 IC21	IC411 IC511 IC611	IC31 IC71W IC81W IC8A1W7	IC01 IC11 IC21	IC411 IC511 IC611	IC31 IC71W IC81W IC8A1W7	IC01 IC11 IC21	IC411 IC511 IC611	IC31 IC71W IC81W IC8A1W7	IC01 IC11 IC21	IC411 IC511 IC611	IC31 IC71W IC81W IC8A1W7
冷却方式 (简单代码)	注1	注2	注2	注1	注2	注2	注1	注2	注2	注1	注2	注2	注1	注2	注2	注1	注2	注2
额定输出PN KW(或KVA)																		
1 < P _N ≤ 1.1	73	73	—	76	76	—	77	78	—	79	81	—	81	84	—	82	88	—
1.1 < P _N ≤ 2.2	74	74	—	78	78	—	81	82	—	83	85	—	85	88	—	86	91	—
2.2 < P _N ≤ 5.5	77	78	—	81	82	—	85	86	—	86	90	—	89	93	—	93	95	—
5.5 < P _N ≤ 11	81	82	—	85	85	—	88	90	—	90	93	—	93	97	—	97	98	—
11 < P _N ≤ 22	84	86	—	88	88	—	91	94	—	93	97	—	96	100	—	97	100	—
22 < P _N ≤ 37	87	87	—	91	91	—	94	98	—	96	100	—	99	102	—	101	102	—
37 < P _N ≤ 55	90	93	—	94	94	—	97	100	—	98	102	—	101	104	—	103	104	—
55 < P _N ≤ 110	93	96	—	97	98	—	100	103	—	101	104	—	103	106	—	105	105	—
110 < P _N ≤ 220	97	99	—	100	102	—	103	106	—	103	107	—	105	109	—	107	110	—
220 < P _N ≤ 550	99	102	98	103	105	100	106	108	102	106	109	102	107	111	102	110	113	105
550 < P _N ≤ 1100	101	105	100	106	108	103	108	111	104	108	111	104	109	112	104	111	116	106
1000 < P _N ≤ 2200	103	107	102	108	110	105	109	113	105	109	113	105	110	113	105	112	118	107
2200 < P _N ≤ 5500	105	109	104	110	112	106	110	115	106	111	115	107	112	115	107	114	120	109

注1：典型的防护类型为IP22或者IP23
注2：典型的防护类型为IP44或者IP55

· 国家标准对声压级没有具体要求，如果有要求，声压级可直接由下式的声功率级换算：

(公式1)

$$L_p = L_w - 10 \lg\left(\frac{S}{S_0}\right)$$

式中：

L_p—距电机1m的反射面上自由场中声压级

L_w—依据标准确定的声功率级

S₀—1.0m

S—距基准体1m的电机测量包络面面积